

4

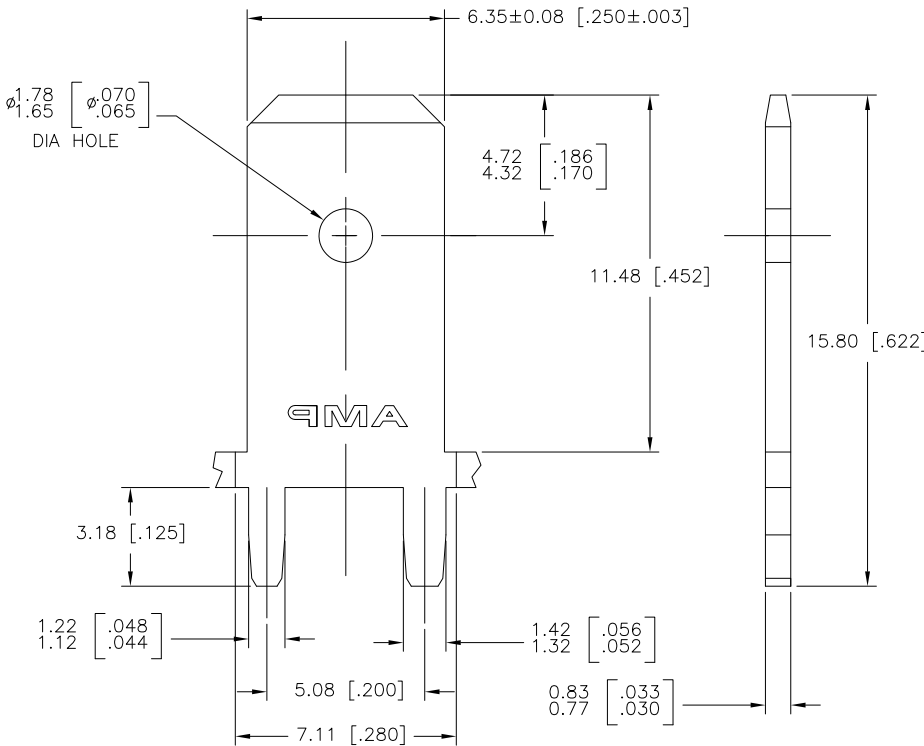
3

2

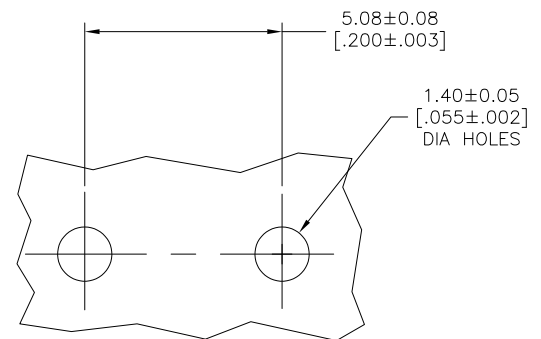
1

THIS DRAWING IS UNPUBLISHED. RELEASED FOR PUBLICATION
 © COPYRIGHT - By - ALL RIGHTS RESERVED.

LOC	DIST	REVISIONS				
P	LTR	DESCRIPTION	DATE	DWN	APVD	
AF	50					
	C2	REVISED PER ECO-11-005027	11MAR11	RK	HMR	



1 SUPPLIED IN LOOSE PIECE
 2 0.00381 [.000150] MIN TIN OVER
 0.00254 [.000100] MIN THK COPPER.



P.C. BOARD HOLES
 SCALE 10:1

63900-1
PART NUMBER

THIS DRAWING IS A CONTROLLED DOCUMENT.		DWN	JR RUTH	30NOV00	 TE Connectivity
DIMENSIONS: mm [INCHES]		CHK	MS FEHER	30NOV00	
TOLERANCES UNLESS OTHERWISE SPECIFIED: 0 PLC ± - 1 PLC ± - 2 PLC ± 0.25 [010] 3 PLC ± - 4 PLC ± - ANGLES ± -		APVD	G PORTA	30NOV00	
MATERIAL: 082 BRASS		NAME	TAB, FASTON, PC BOARD, 6.35 [.250] SERIES		
FINISH: TIN OVER COPPER		PRODUCT SPEC	APPLICATION SPEC		RESTRICTED TO
		SIZE	A3	CAGE CODE 00779	DRAWING NO C-63900
		WEIGHT	CUSTOMER DRAWING		SCALE 8:1
		SHEET 1 OF 1		REV C2	