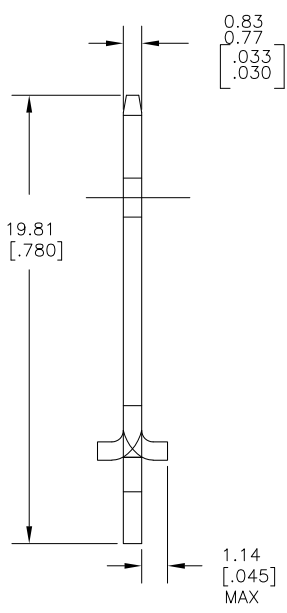
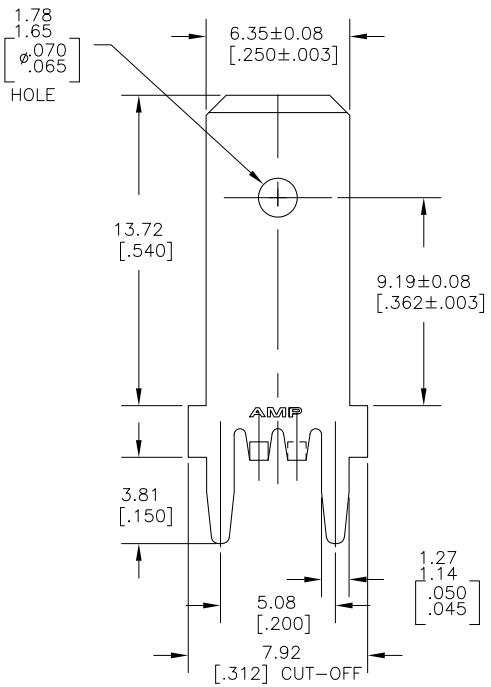
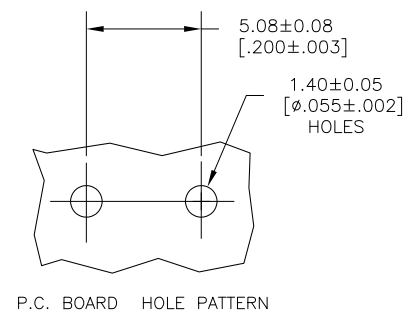


THIS DRAWING IS UNPUBLISHED. RELEASED FOR PUBLICATION  
 © COPYRIGHT BY TYCO ELECTRONICS CORPORATION. ALL RIGHTS RESERVED.

| LOC | DIST | REVISIONS |     |                       |         |     |      |
|-----|------|-----------|-----|-----------------------|---------|-----|------|
| AF  | 50   | P         | LTR | DESCRIPTION           | DATE    | DWN | APVD |
|     |      | C1        |     | REV PER ECR-11-003939 | 22FEB11 | JR  | PD   |



1 SUPPLIED IN LOOSE PIECE AFTER PLATING, BARE EDGES AT CUT-OFFS.  
 TIN PLATE 0.00381 [.000150] MIN OVER 0.00254 [.000100] MIN THK COPPER.



1217167-1  
 PART NO.

|  |                    |                              |   |                    |
|--|--------------------|------------------------------|---|--------------------|
| THIS DRAWING IS A CONTROLLED DOCUMENT.   |                    | DWN<br>JR RUTH<br>28MAR01    | Tyco Electronics Corporation<br>Harrisburg, PA 17105-3608 |                    |
| DIMENSIONS:<br>mm [INCHES]   |                    | CHK<br>MS FEHER<br>28MAR01   | NAME<br>TAB, FASTON, P.C.BOARD<br>6.35 [.250]             |                    |
| TOLERANCES UNLESS OTHERWISE SPECIFIED:<br>0 PLC ±-<br>1 PLC ±-<br>2 PLC ± 0.25 [.010]<br>3 PLC ±-<br>4 PLC ±-<br>ANGLES ±- |                    | APVD<br>N DEIBERT<br>28MAR01 | PRODUCT SPEC<br>-<br>APPLICATION SPEC<br>-<br>WEIGHT<br>- |                    |
| MATERIAL<br>082 BRASS  | FINISH<br>[Symbol] | SIZE<br>A3                   |   | CAGE CODE<br>00779 |
| CUSTOMER DRAWING   |                    | DRAWING NO<br>C=1217167      |   | RESTRICTED TO<br>- |
|  |                    | SCALE<br>6:1                 |   | SHEET<br>1 of 1    |
|  |                    |                              |   | REV<br>C1          |

AMP 1470-19 REV 31MAR2000