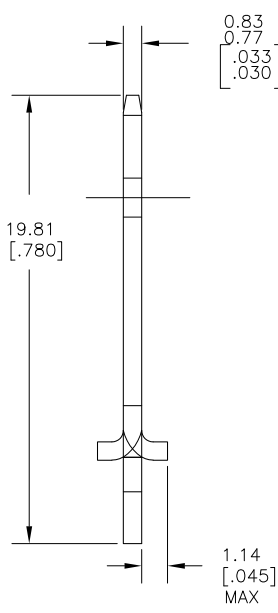
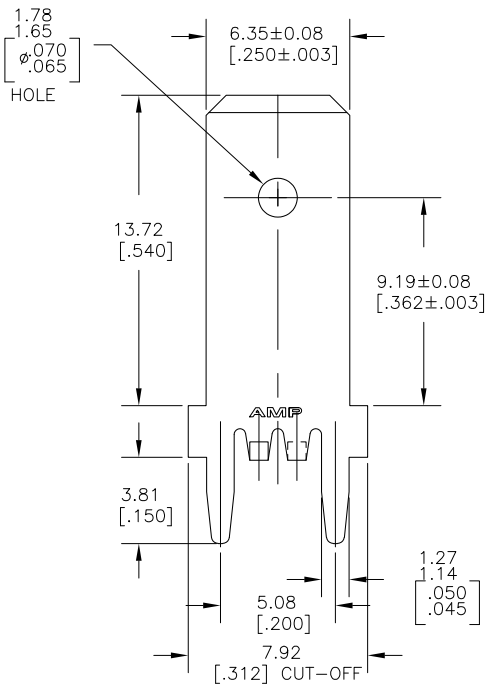
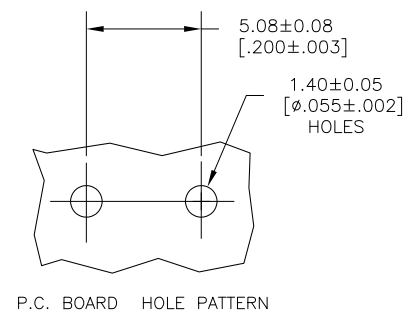


THIS DRAWING IS UNPUBLISHED. RELEASED FOR PUBLICATION
 © COPYRIGHT BY TYCO ELECTRONICS CORPORATION. ALL RIGHTS RESERVED.

LOC	DIST	REVISIONS					
AF	50	P	LTR	DESCRIPTION	DATE	DWN	APVD
		C1		REV PER ECR-11-003939	22FEB11	JR	PD



1 CONTINUOUS STRIP ON REELS.
 TIN PLATE 0.00381 [.000150] MIN
 OVER 0.00254 [.000100] MIN THK
 COPPER.



1217127-1
 PART NO.

THIS DRAWING IS A CONTROLLED DOCUMENT.		DWN JR RUTH 28MAR01	Tyco Electronics Corporation Harrisburg, PA 17105-3608	
DIMENSIONS: mm [INCHES]		CHK MS FEHER 28MAR01	NAME TAB, FASTON, P.C.BOARD 6.35 [.250]	
TOLERANCES UNLESS OTHERWISE SPECIFIED:		APVD N DEIBERT 28MAR01	PRODUCT SPEC —	
0 PLC ±- 1 PLC ±- 2 PLC ± 0.25 [.010] 3 PLC ±- 4 PLC ±- ANGLES ±-		APPLICATION SPEC —	RESTRICTED TO —	
MATERIAL 082 BRASS	FINISH △	WEIGHT —	SIZE A3	CAGE CODE 00779
CUSTOMER DRAWING		DRAWING NO C=1217127	SCALE 6:1 SHEET 1 of 1 REV C1	

AMP 1470-19 REV 31MAR2000