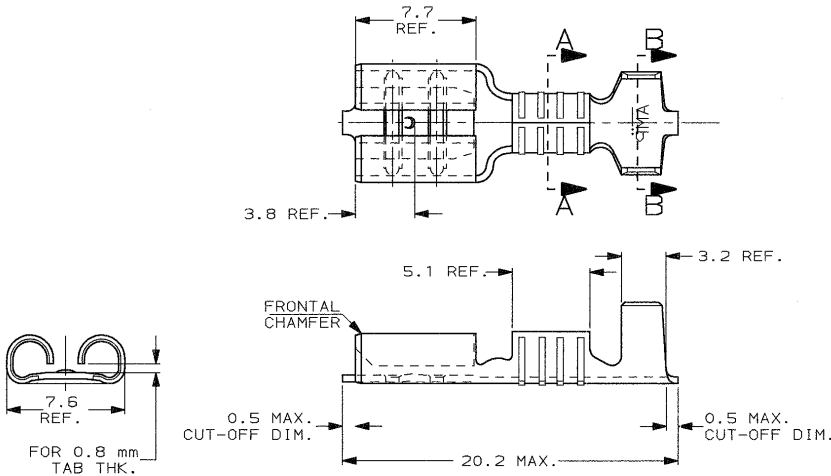


SCALA NON IMPENGINATA
(DO NOT SCALE)
DIMENSIONI IN
(DIMENSIONS IN) mm

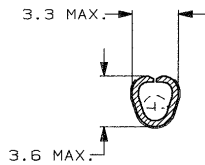
METRIC

THIRD ANGLE
PROJECTION

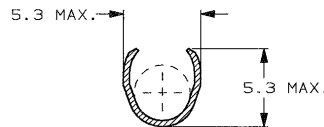


1) PER LE VERSIONI IN NASTRO
VEDERE DISEGNO 160256
(FOR STRIP FORM VERSION SEE DRAWING 160256)

SEZIONE A-A
SECTION A-A



SEZIONE B-B
SECTION B-B



PRE NICHIELATO (PRE NICKEL PLATED)	ACCIAIO (STEEL)	2-160304-4	Y
STAGNATO (TIN PLATED)	BRONZO FOS. (PHOS. BRONZE)	1-160304-8	Y
ARGENTATO (SILVER PLATED)	OTTONE (BRASS)	1-160304-7	Y
NUDO (PLAIN)	BRONZO FOS. (PHOS. BRONZE)	1-160304-5	Y
STAGNATO (TIN PLATED)	OTTONE (BRASS)	1-160304-2	Y
NUDO (PLAIN)	OTTONE (BRASS)	1-160304-0	Y
FINITURA / COLORE (FINISH / COLOUR)	MATERIALE (MATERIAL)	NUMERO (PART NUMBER)	REV

CUSTOMER DWG. FOR REFERENCE ONLY DISEGNO PER CLIENTE SOLO PER RIFERIMENTO

THIS DRAWING IS UNPUBLISHED		RELEASE FOR PUBLICATION	
© COPYRIGHT 1989 BY AMP INCORPORATED, HARRISBURG, PA. ALL INTERNATIONAL RIGHTS RESERVED. AMP PRODUCTS MAY BE COVERED BY U.S. AND FOREIGN PATENT AND/OR PATENT PENDING.			
TOLLERANZE, SE NON DIVERSAMENTE SPECIFICATE (TOLERANCES, UNLESS OTHERWISE SPECIFIED)	DIAM. ISOLANTE (INS. DIA. RANGE)	RANGO FILO (WIRE RANGE) mm2	SCALA (SCALE)
± 0.3	3.0-4.3	1.0-2.5	4:1
ANGOLI (ANGLES)	AMP AMP ITALIA S.p.A. Corso F.lli Cervi, 15 COLLEGO (TORINO)		
DIS. H. YAALI (DR.)	DESCRIZIONE (DESCRIPTION) FASTON® Connector, .250 sr. REC. CONTACT. (LOOSE PIECE VERSION)		
CONT. C. TARTARI (CON)	LOC. SIZE NUMERO (DWG NO.)		
15 SEP 2000	I A 3 C-160304		
Y	OBSOLETE PARTS & REDRAWN (ET00-0245-00)	H. Y. (DR.)	REV. (REV.)
REV. (REV.)	REVISIONI (REVISION RECORD)	DIS. DATA (DR) (DATE)	APP. (APP.)
			19
			1

REVISIONI (REVISION RECORD)