

4

3

2

1

THIS DRAWING IS UNPUBLISHED.
DIFFUSION RESTREINTE AMP

RELEASED FOR PUBLICATION
LIBRE "LA DIFFUSION"

20

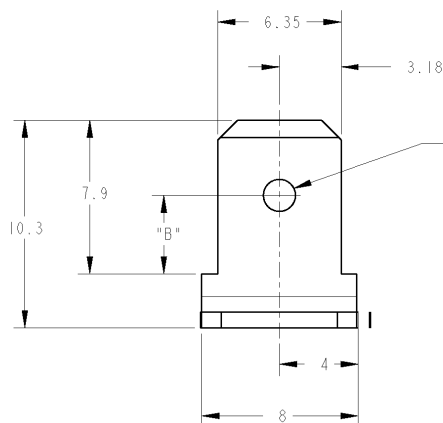
BY TYCO ELECTRONICS CORPORATION. ALL RIGHTS RESERVED.
TOUTS DROITS RESERVES

© COPYRIGHT 20

Loc F DIST 7

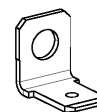
REVISIONS

P	LTR REV	DESCRIPTION MODIFICATIONS	DATE	DWN BESS.	APVD APP.
G		Redessine en CAO et revise	30MARS98	O.L	-
H		CLARIFICATION	09OCT2000	JJD	-
J		AJOUT VUE DE COTE ET DIM 90°	12MAR2004	GR	gr

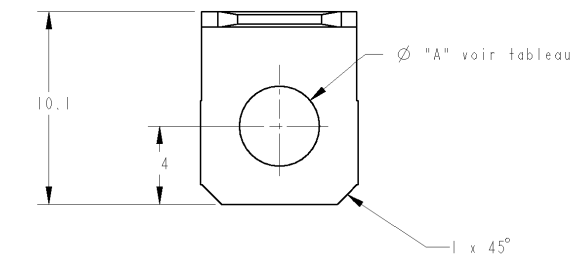


Bossage Ø 1.7
ou
Trou Ø 2
ITEM "C" (voir tableau)

90.0°
141879-1/-2, tol +0°/-3°
Autres références, tol générale



ECHELLE 2:1



Ø "A" voir tableau

1 x 45°

142612-2	etame	3	3.4	trou
142612-1	brut	3	3.4	trou
141879-2	etame	4.1	3.4	trou
141879-1	brut	4.1	3.4	trou
140793-2	etame	4.1	3.4	trou
140793-1	brut	4.1	3.4	trou
140732-2	etame	3.1	4	bossage
140732-1	brut	3.1	4	bossage
140600-0	etame	3.7	4	bossage
140599-0	brut	3.7	4	bossage
140594-0	etame	4.1	4	bossage
140593-0	brut	4.1	4	bossage
Numero	Finition	"A"	"B"	"C"

<p>THIS DRAWING IS A CONTROLLED DOCUMENT FOR THE ELECTRONICS CORPORATION IT IS SUBJECT TO CHANGE AND THE CONTROLLING ENGINEERING ORGANIZATION SHOULD BE CONTACTED FOR THE LATEST REVISION. SI PLAN EST EN COURS DE CONTROLER PAR AMP INCORPORATE IL EST SUSCEPTIBLE D'ETRE REVISE. CONTACTER LE SERVICE TECHNIQUE D'AMP DE FRANCE POUR OBTENIR LA DERNIERE VERSION.</p>		<p>DWN/DESIGNE 30MARS98 O. LEMPEREUR</p>	<p>AMP DE FRANCE 95301 PONTOISE</p>
<p>DIMENSIONS: mm</p>	<p>TOLERANCES UNLESS OTHERWISE SPECIFIED: TOLERANCES NON SPECIFIEES (SUIVIR DE DECIMALES): 0. PLC / DEC: ± 1. PLC / DEC: ±0.2 2. PLC / DEC: ± 3. PLC / DEC: ± 4. PLC / DEC: ± ANGLES ±30°</p>	<p>CHK/VERIFIE G. ROBERT</p> <p>APVD / APPROUVE Y. PETRONIN</p> <p>PRODUCT SPEC SPEC. PRODUIT</p> <p>APPLICATION SPEC SPEC. APPLICATION</p> <p>WEIGHT MASSE APPROX.</p>	<p>NAME FASTON TABS BENT 90 .250 series LANGUETTE POUR CLIPS</p> <p>SIZE FORMAT A3</p> <p>CAGE CODE 00779</p> <p>DRAWING NO H- PLAN C-140593</p> <p>RESTRICTED TO RESERVE A</p>
<p>MATERIAL / MATIERE LAITON Epaisseur : 0.8mm</p>	<p>FINISH / FINITION VOIR TABLE</p>	<p>CUSTOMER DRAWING / PLAN CLIENT</p>	<p>UNDOUMENT POUR REFERENCE</p> <p>SCALE ECHELLE 5:1</p> <p>SHEET FEUILLE 1</p> <p>OF DE 1</p> <p>REV J</p>

AMP 1470-19 REV 31MAR2000

Proj/ENGINEER DRAWING