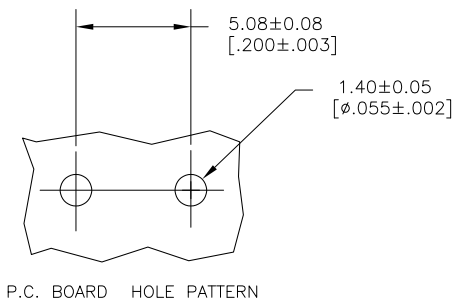
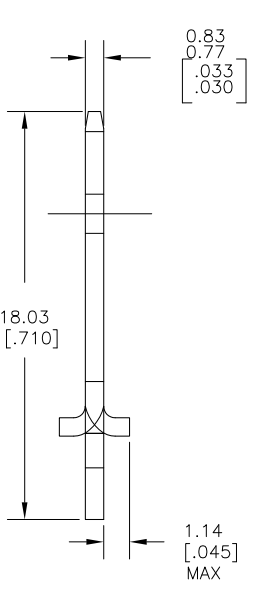
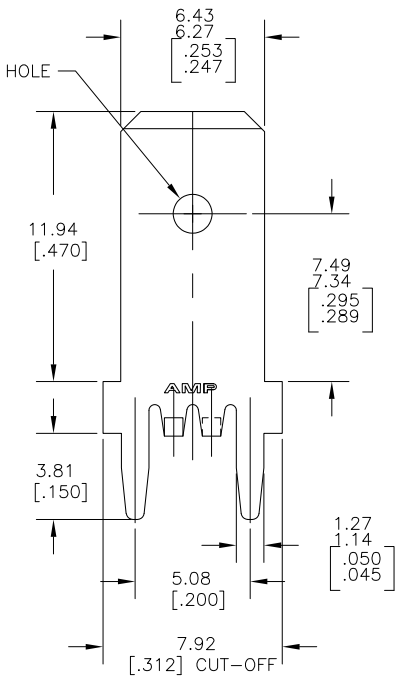


THIS DRAWING IS UNPUBLISHED. RELEASED FOR PUBLICATION
 © COPYRIGHT BY TYCO ELECTRONICS CORPORATION. ALL RIGHTS RESERVED.

LOC	DIST	REVISIONS					
AF	50	P	LTR	DESCRIPTION	DATE	DWN	APVD
		C1		REV PER ECR-11-003939	22FEB11	JR	PD



1 CONTINUOUS STRIP ON REELS.
 TIN PLATE 0.00381 [.000150] MIN OVER 0.00254 [.000100] MIN THK COPPER.

1217125-1
 PART NO.

THIS DRAWING IS A CONTROLLED DOCUMENT.		DWN JR RUTH 23MAR01	Tyco Electronics Corporation Harrisburg, PA 17105-3608	
DIMENSIONS: mm [INCHES]		CHK MS FEHER 23MAR01	NAME TAB, FASTON, P.C.BOARD 6.35 [.250]	
TOLERANCES UNLESS OTHERWISE SPECIFIED: 0 PLC ± - 1 PLC ± - 2 PLC ± 0.25 [.010] 3 PLC ± - 4 PLC ± - ANGLES ± -		APVD N DEIBERT 23MAR01	PRODUCT SPEC - APPLICATION SPEC - WEIGHT -	
MATERIAL 082 BRASS	FINISH △	SIZE A3	CAGE CODE 00779	DRAWING NO C=1217125
CUSTOMER DRAWING			SCALE 6:1	SHEET 1 of 1
			REV C1	RESTRICTED TO -