

4

3

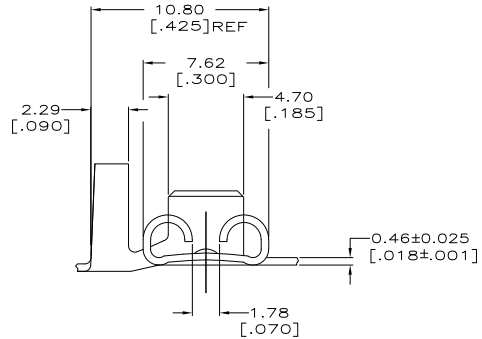
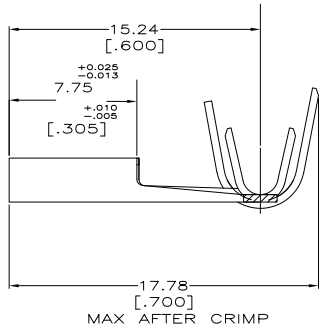
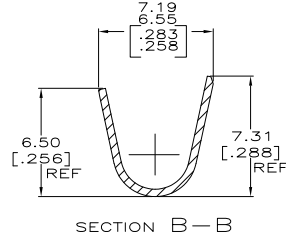
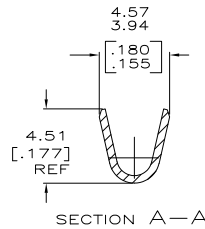
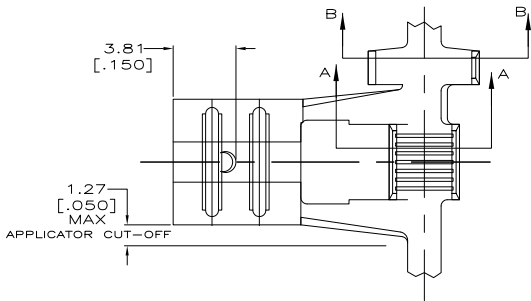
2

1

THIS DRAWING IS UNPUBLISHED. RELEASED FOR PUBLICATION.  
 © COPYRIGHT BY TYCO ELECTRONICS CORPORATION. ALL RIGHTS RESERVED.

LOC	DIST	REVISIONS		
F	LR	DESCRIPTION	DATE	BY
AF	50			
	B1	REVISED PER ECR-08-000443	09JAN08	HMR PD

- CONTINUOUS STRIP ON REELS
- MATING TAB THK TO BE  $0.813 \pm 0.025$  [.032 ± .001].
- WIRE SIZE IS [#16-#12] AWG.
- INSULATION RANGE IS 3.05-4.32 [.120-.170] DIA.



63944-1  
PART NO.

THIS DRAWING IS A CONTROLLED DOCUMENT.		DRW. J.R. RUTH 11/04/98	Tyco Electronics Corporation Harrisburg, PA 17105-3608	
DIMENSIONS: mm [INCHES]		CHK. M.S. FEUER 11/04/98	RECEPTACLE, FASTON, FLAG, AMPLIVAR, 6.35 [.250] SERIES	
TOLERANCES UNLESS OTHERWISE SPECIFIED:		APP'D. P. DESANTIS 11/04/98	RESTRICTED TO	
0 PLG	± .005	APPLICATION SPEC:	SIZE	CAGE CODE
1 PLG	± .005	WEIGHT	A2	00779
2 PLG	± .005	CUSTOMER DRAWING	C=63944	
3 PLG	± .005		SCALE	6:1
4 PLG	± .005		SHEET	1 of 1
ANGLES	± .005		REV	B1
MATERIAL	H03 PHOS BRONZE			
FINISH	0.002032 [.000080] MIN TN			

AMP 1471-9 REV 31MM2000

63944

A