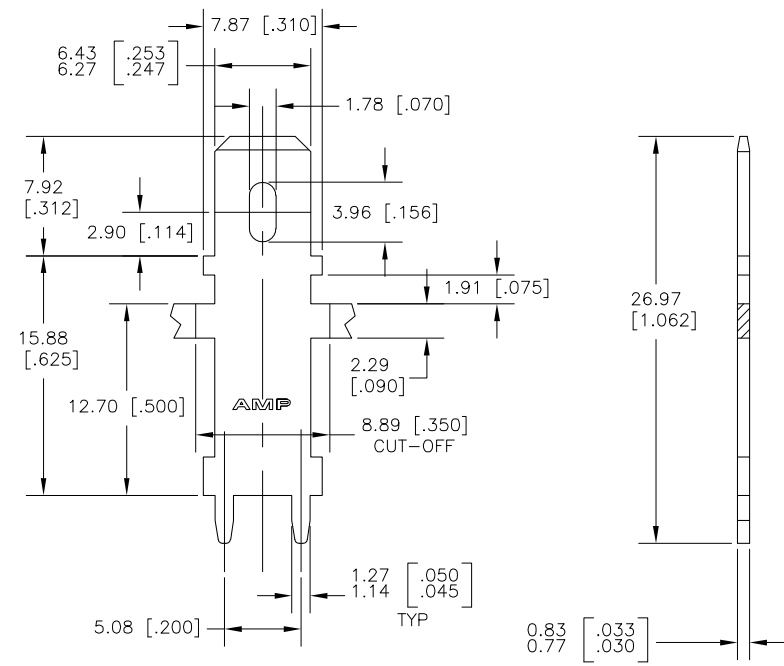
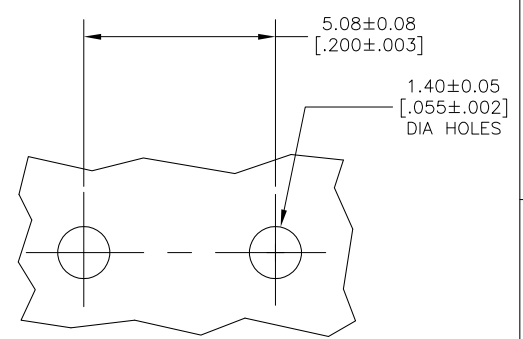


THIS DRAWING IS UNPUBLISHED. RELEASED FOR PUBLICATION
 © COPYRIGHT BY TYCO ELECTRONICS CORPORATION. ALL RIGHTS RESERVED.

LOC	DIST	REVISIONS					
AF	50	P	LTR	DESCRIPTION	DATE	DWN	APVD
		G		REV PER ECR-05-017407	15APR06	HMR	KR



- 1 CONTINUOUS STRIP ON REELS
- 2 FEED IS 8.89±0.076 [.350±.003].
- ③ 0.00381 [.000150] MIN TIN OVER
0.00127 [.000050] MIN NICKEL.
- ④ PRELIMINARY - NOT FOR
PRODUCTION



P.C. BOARD HOLES
SCALE 10:1

H04 BRASS	④ 63949-2
082 BRASS	63949-1
MATERIAL	PART NO.

THIS DRAWING IS A CONTROLLED DOCUMENT.		DWN	JR RUTH	05DEC00	 Tyco Electronics Corporation Harrisburg, PA 17105-3608	
DIMENSIONS:		CHK	MS FEHER	05DEC00		
mm [INCHES]	TOLERANCES UNLESS OTHERWISE SPECIFIED:	APVD	G PORTA	05DEC00		
0 PLC ± -	1 PLC ± -	PRODUCT SPEC				
	2 PLC ± -	APPLICATION SPEC	114-2115		NAME	TAB, FASTON, P.C. BOARD, 6.35 [.250] SERIES
	3 PLC ± 0.25 [.010]	WEIGHT	-		SIZE	A3
	4 PLC ± -	CUSTOMER DRAWING			CAGE CODE	00779
	ANGLES ± -	SCALE	4:1		DRAWING NO	C=63949
MATERIAL	FINISH	SHEET	1 of 1		RESTRICTED TO	-
SEE TABLE	④	REV	G			

AMP 1470-19 REV 31MAR2000