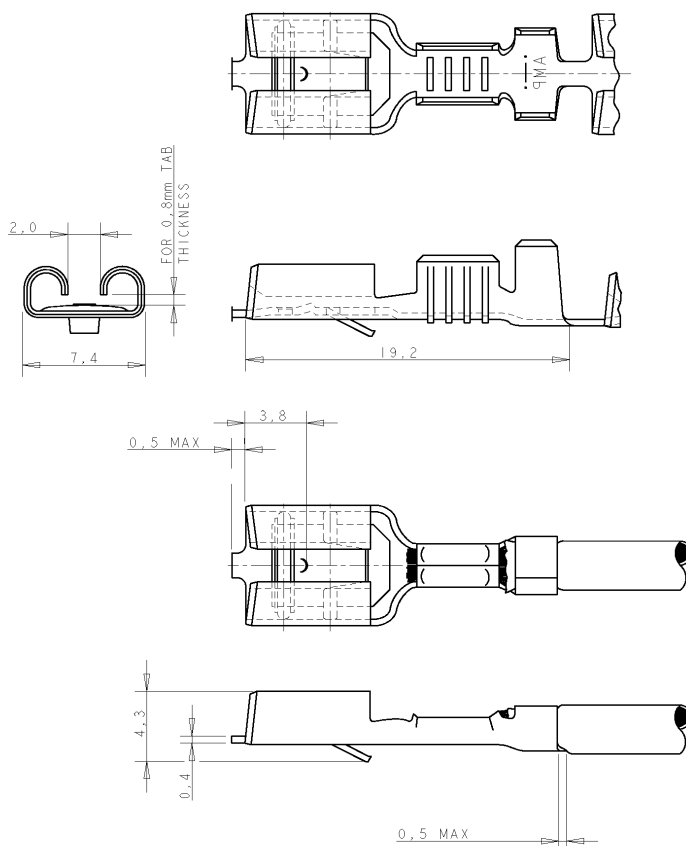


DO NOT SCALE
DIMENSIONS IN mm

METRIC

THIRD ANGLE
PROJECTION



WIRE RANGE :
> 1.0-2.5 mm²
INSULATION RANGE :
2.1-3.1 DIA.

NOTES

- 1. FOR USE ON MINIATURE APPLICATORS (LEFT-RIGHT FEED) AND STANDARD APPLICATORS (RIGHT-LEFT FEED).
- 2. REELED WITH PAPER AND PAPER COVER.
- 3. OBSOLETE PARTS: OBSOLETE CIS STREAMLINING PER D.RENAUD/D.SINISI

GENERAL TOLERANCES ±0.3

OBSOLETE	△	PRE-TINPLATED	PH.BRONZE	6 160917-8
	△	PRE-TINPLATED	BRASS	6 160917-7
	△	TINPLATED	PH.BRONZE	160917-4
	△	UNPLATED	PH.BRONZE	160917-3
	△	TINPLATED	BRASS	160917-2
	△	UNPLATED	BRASS	160917-1

NOTES	FINISH	MATERIAL	PARTNUMBER
-	-	-	-
CUSTOMER DRAWING FOR REFERENCE ONLY WILL NOT BE UPDATED			
E2	REVISED PER ECO-09-022178	KK	AEG 29SEP09
E1	4.3±0.3 was 4.1±0.3	JL	JL 04 2005
E	ES00-0008-03	JL	JL 17JAN03
D	ES00-0065-01	JC	JL 19JUN01
C	ES00-0043-01	JC	RS 4MAY01
B	H-9844	JvdH	AB 26-05-92
LTR:	REVISION RECORD	DR.	CHK. DATE
DR.:	R.V.LOVEN	CHK.:	A.BIJEN
DATE:	31-07-87	DATE:	10-08-87
APP.:	L.V.SOEST.	DATE:	25-08-887
DWG. No. 160917			REV. LTR. SHEET E2 1 of 1 A3

© COPYRIGHT 19- BY AMP HOLLAND B.V.
ALL INTERNATIONAL RIGHTS RESERVED. AMP PRODUCTS MAY BE COVERED BY U.S. AND FOREIGN AND/OR PATENTS PENDING.
THIS DRAWING IS UNPUBLISHED
RELEASED FOR PUBLICATION JULY, 19 87
AMP Tyco Electronics AMP
Barcelona, Spain
NAME
.250 SRS FASTIN-ON RECEPTACLE.