

4

3

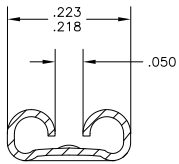
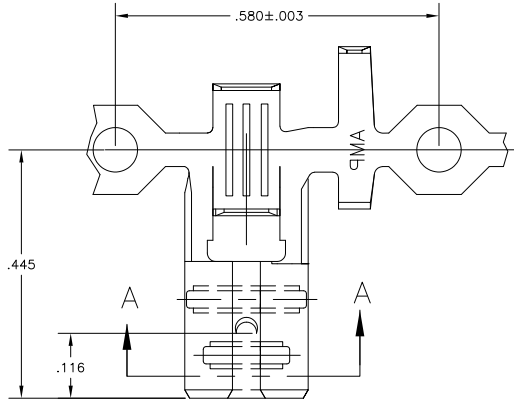
2

1

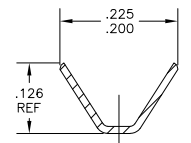
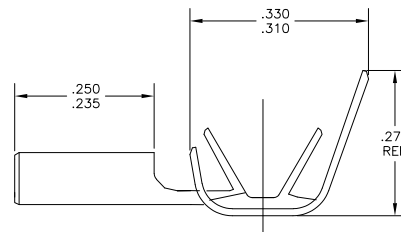
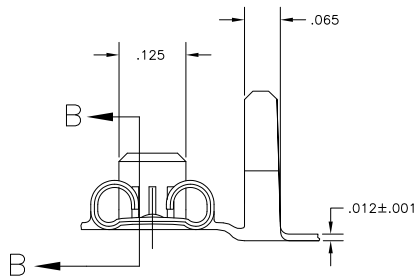
THIS DRAWING IS UNPUBLISHED. RELEASED FOR PUBLICATION
 © COPYRIGHT BY TYCO ELECTRONICS CORPORATION. ALL RIGHTS RESERVED.

LOC		DIBT		REVISIONS			
P	LTR	DESCRIPTION	DATE	MIN	APD		
AF	50	H	REVISED PER ECR-08-020253	28AUG08	HMR	PD	

- CONTINUOUS STRIP ON REELS
- MATING TAB THK IS .032±.001
- WIRE SIZE IS FOR ONE OR TWO #18'S AWG
- INSULATION RANGE IS .110-.150 OR TWO AT .110 MAX.



SECTION A-A



SECTION B-B

1742049-1
 PART NO

THIS DRAWING IS A CONTROLLED DOCUMENT.		DRN 14JAN2004	Tyco Electronics Corporation Harrisburg, PA 17105-3608	
DIMENSIONS: INCHES		DR 14JAN04	RECEPTACLE, FASTON, FLAG, .187 SERIES	
TOLERANCES UNLESS OTHERWISE SPECIFIED:		CHK DESANTIS	RESTRICTED TO	
Ø PLC ± .005		APPD DESANTIS	SIZE A2	CAGE CODE 00779
Ø PLC ± .010		PRODUCT SPEC	DRAWING NO 1742049	REV H
Ø PLC ± .015		APPLICATION SPEC	SCALE 8:1	SHEET 1 of 1
Ø PLC ± .020		WEIGHT	CUSTOMER DRAWING	
Ø PLC ± .030		FINISH .000150 MIN NICKEL		
Ø PLC ± .040				
Ø PLC ± .050				
Ø PLC ± .060				
Ø PLC ± .070				
Ø PLC ± .080				
Ø PLC ± .090				
Ø PLC ± .100				
Ø PLC ± .110				
Ø PLC ± .120				
Ø PLC ± .130				
Ø PLC ± .140				
Ø PLC ± .150				
Ø PLC ± .160				
Ø PLC ± .170				
Ø PLC ± .180				
Ø PLC ± .190				
Ø PLC ± .200				
Ø PLC ± .210				
Ø PLC ± .220				
Ø PLC ± .230				
Ø PLC ± .240				
Ø PLC ± .250				
Ø PLC ± .260				
Ø PLC ± .270				
Ø PLC ± .280				
Ø PLC ± .290				
Ø PLC ± .300				
Ø PLC ± .310				
Ø PLC ± .320				
Ø PLC ± .330				
Ø PLC ± .340				
Ø PLC ± .350				
Ø PLC ± .360				
Ø PLC ± .370				
Ø PLC ± .380				
Ø PLC ± .390				
Ø PLC ± .400				
Ø PLC ± .410				
Ø PLC ± .420				
Ø PLC ± .430				
Ø PLC ± .440				
Ø PLC ± .450				
Ø PLC ± .460				
Ø PLC ± .470				
Ø PLC ± .480				
Ø PLC ± .490				
Ø PLC ± .500				
Ø PLC ± .510				
Ø PLC ± .520				
Ø PLC ± .530				
Ø PLC ± .540				
Ø PLC ± .550				
Ø PLC ± .560				
Ø PLC ± .570				
Ø PLC ± .580				
Ø PLC ± .590				
Ø PLC ± .600				
Ø PLC ± .610				
Ø PLC ± .620				
Ø PLC ± .630				
Ø PLC ± .640				
Ø PLC ± .650				
Ø PLC ± .660				
Ø PLC ± .670				
Ø PLC ± .680				
Ø PLC ± .690				
Ø PLC ± .700				
Ø PLC ± .710				
Ø PLC ± .720				
Ø PLC ± .730				
Ø PLC ± .740				
Ø PLC ± .750				
Ø PLC ± .760				
Ø PLC ± .770				
Ø PLC ± .780				
Ø PLC ± .790				
Ø PLC ± .800				
Ø PLC ± .810				
Ø PLC ± .820				
Ø PLC ± .830				
Ø PLC ± .840				
Ø PLC ± .850				
Ø PLC ± .860				
Ø PLC ± .870				
Ø PLC ± .880				
Ø PLC ± .890				
Ø PLC ± .900				
Ø PLC ± .910				
Ø PLC ± .920				
Ø PLC ± .930				
Ø PLC ± .940				
Ø PLC ± .950				
Ø PLC ± .960				
Ø PLC ± .970				
Ø PLC ± .980				
Ø PLC ± .990				
Ø PLC ± 1.000				

AMP 1471-9 REV 31MM2000

1742049

A