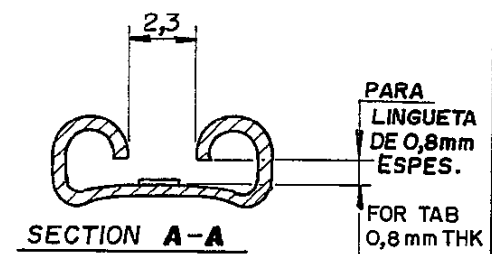
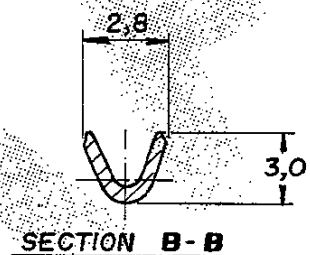
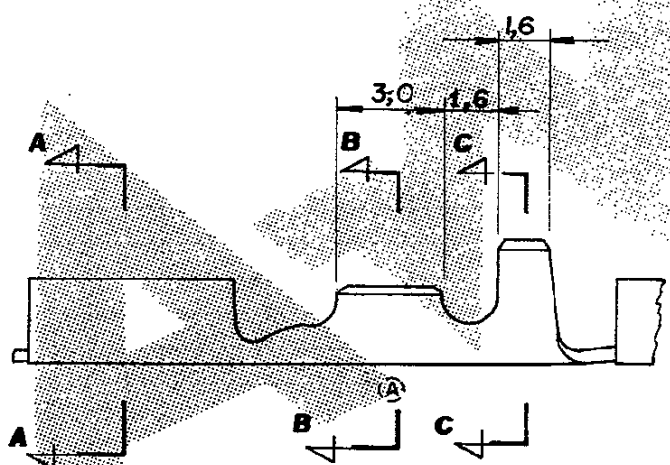
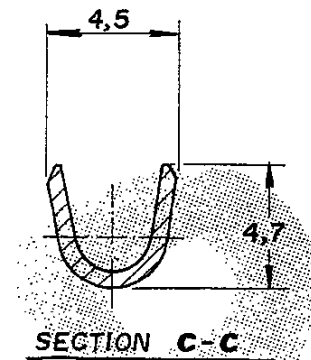
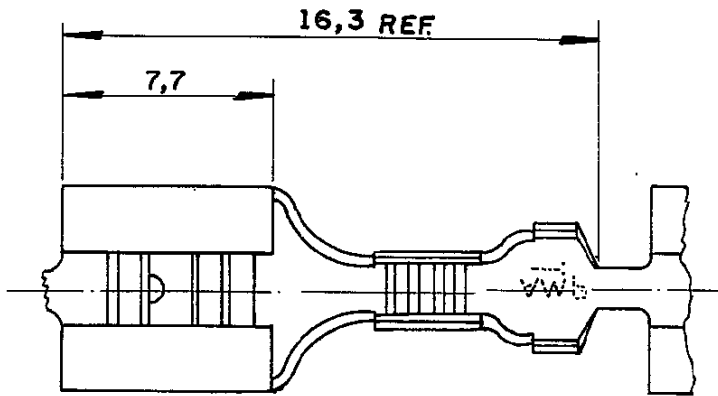


DO NOT SCALE
DIMENSIONS IN MM.

METRIC

3rd ANGLE PROJECTION



1 OBSOLETE PARTS: OBSOLETE CIS STREAMLINING PER D.RENAUD/D.SINISI

	PRATEADO / SILVER PLATED	BRONZE FOSE / PH. BRONZE	-6
	PRATEADO / SILVER PLATED	LATAO / BRASS	5
	ESTANHADO / TIN PLATED	BRONZE FOSE / PH. BRONZE	4
	ESTANHADO / TIN PLATED	LATAO / BRASS	-3
	ESTANHADO / TIN PLATED	LATAO / BRASS	-2
	ESTANHADO / TIN PLATED	LATAO / BRASS	-1
	LOOSE PIECE	FINISH	MATERIAL
			PART NUMBER

CUSTOMER DWG for REFERENCE ONLY				THIS DRAWING IS UNPUBLISHED RELEASED FOR PUBLICATION			
A2 REVISED PER ECO-09-026444				© COPYRIGHT 19 BY AMP DO BRASIL LTDA S.P. ALL INTERNATIONAL RIGHTS RESERVED AMP PRODUCTS MAY BE COVERED BY U.S. AND FOREIGN PATENTS AND/OR PATENTS PENDING			
A1 REVISED BY EC:023-98				TOLERANCES UNLESS OTHERWISE STATED			
A REVISED BY EC:518-12				INS. DIA. RANGE 2,0-3,3 mm			
O WAS P90-29071				WIRE RANGE 2 0,5-1,0 mm			
ISS REVISION RECORD				SCALE ---//---			
DR				AMP do BRASIL LTDA.			
CHK				São Paulo, Brasil			
DATE				DESCRIPTION			
APP.				.250 SERIES FASTON REC.			
				DWG NO			
				SHEET			
				A4 C 880683 1 OF 1			