

4

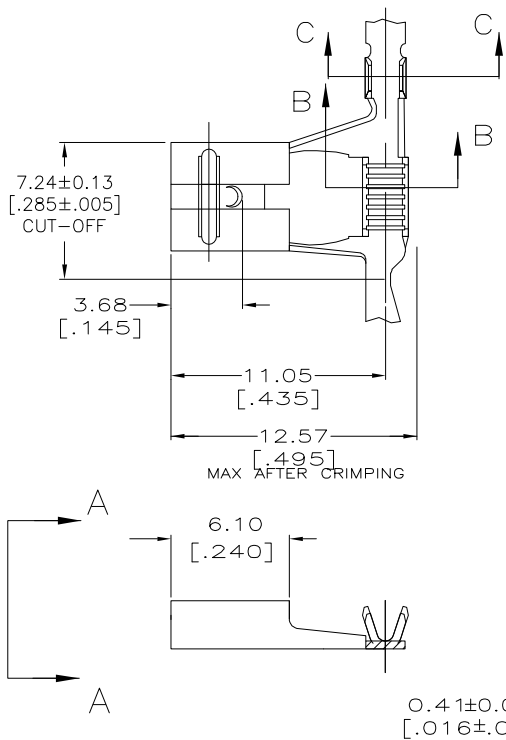
3

2

1

THIS DRAWING IS UNPUBLISHED. RELEASED FOR PUBLICATION  
 © COPYRIGHT - BY TYCO ELECTRONICS CORPORATION. ALL RIGHTS RESERVED.

LOC	DIST	REVISIONS			
P	LTR	DESCRIPTION	DATE	DWN	APVD
AF	50	H	REV PER ECR 05-010744	01DEC05	JR PD



- 1 CONTINUOUS STRIP ON REELS.
- 2 ACCEPTS MAGNET WIRE RANGES 500-1200 CMA.
- 3 MATING TAB THK TO BE 0.51±0.025 [.020±.001].
- △ 0.002032 [.000080] MIN TIN

VIEW A-A

SECTION B-B

SECTION C-C

63942-1  
PART NO.

THIS DRAWING IS A CONTROLLED DOCUMENT.		DWN JR RUTH 9/30/96	<b>tyco</b> <b>Electronics</b>	Tyco Electronics Corporation Harrisburg, PA 17105	
DIMENSIONS: MM		CHK MS FEHER 9/30/96		NAME RECEPTACLE, FASTON, FLAG, AMPLIVAR, 4.75 [.187] SERIES	
TOLERANCES UNLESS OTHERWISE SPECIFIED:		APVD P DESANTIS 9/30/96	PRODUCT SPEC		RESTRICTED TO
0 PLC ± -		APPLICATION SPEC		SIZE A3	CAGE CODE 00779
1 PLC ± -		WEIGHT		DRAWING NO 63942	
2 PLC ± 0.25 [.010]		CUSTOMER DRAWING		SCALE 5:1	
3 PLC ± -		SCALE		SHEET 1 OF 1	
4 PLC ± -		REV		H	
ANGLES ± -					
FINISH					
MATERIAL H04 BRASS					

AMP 1470-19 REV 31MAR2000