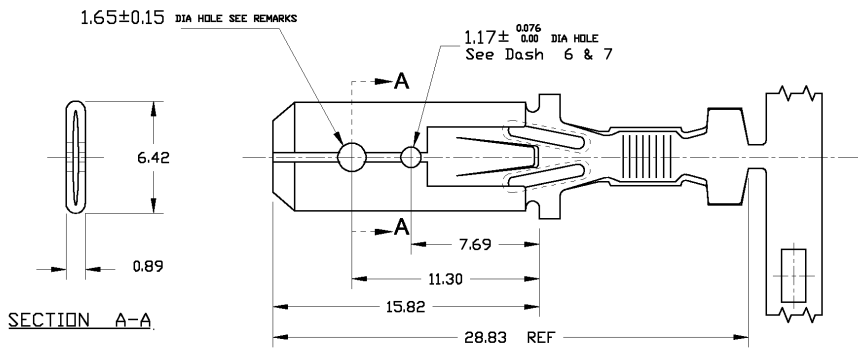


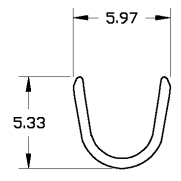
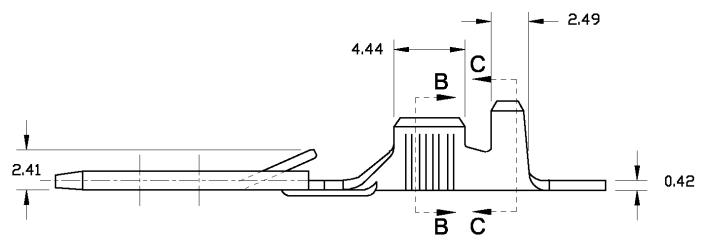
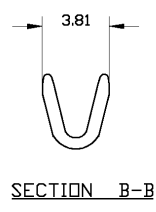
DWG NO 155378
THIS DRAWING IS A CONTROLLED DOCUMENT

USED ON _____



NOTES:

- 1 DIMENSIONS WITH MAX. TOLERANCES
(DIMENSIONES CON TOLERANCIAS MAX)
- 2 FOR REVERSE REAL SEE DWG. 155098
DASCHES 1 - 2 - 3 AND 4 ONLY.
(PARA ENROLLADO OPUESTO VER DIDUJO
155098- 1, 2, 3 Y 4 SOLEMANTE.)



WITH BOTH LOCKING HOLES 1.65 AND 1.17 DIA.	NONE (NINGUNO)	PHOS. BRONZE	155378-8
WITH BOTH LOCKING HOLES 1.65 AND 1.17 DIA.	TIN PLATED (ESTARDO)	BRASS (LATON)	155378-7
WITH BOTH LOCKING HOLES 1.65 AND 1.17 DIA.	NONE (NINGUNO)	BRASS (LATON)	155378-6
WITH BOTH LOCKING HOLES	NONE (NINGUNO)	PHOS. BRONZE	155378-5
WITH LOCKING HOLE 1.65 ONLY	TIN PLATED (ESTARDO)	BRASS (LATON)	155378-4
WITH LOCKING HOLE 1.65 ONLY	NONE (NINGUNO)	BRASS (LATON)	155378-3
WITH BOTH LOCKING HOLES	TIN PLATED (ESTARDO)	BRASS (LATON)	155378-2
WITH BOTH LOCKING HOLES	NONE (NINGUNO)	BRASS (LATON)	155378-1
REMARKS (OBSERVS.)	FINISH (TERMINADO)	MATERIAL	PART NUMBER

VIRE RANGE 18-14	DIMENSIONS: MM -DIMENSIONS APPLY BEFORE PLATING-		Tyco Electronics México, SA Tlaneponita, MEX 54060	
INSUL RANGE	TOLERANCES (UNLESS OTHERWISE SPECIFIED): 2 PLC ± 0.10 3 PLC ± 0.25 ANGLES ± 1°		NAME FASTIN FASTON TAB .250 SERIES	
SURF AREA	CHK A LOPEZ	APVD J ELIAS	SCALE NTS	SIZE A3
			DRAWING NO C - 155378	REV L
			SHEET 1 OF 1	

LOC	AF					APPL FEED	TRIMMING BURR
DIST	L	REV PER NGH-1553-12				VIV	IDW
50	P	LTR	REVISION RECORD	DATE	DWN	APVD	SPLICE

AMP 3306-7 REV 31 MAR 2000

THIS INFORMATION IS CONFIDENTIAL AND PROPRIETARY TO TYCO ELECTRONICS. IT IS NOT TO BE DISCLOSED TO ANY OTHER PARTY WITHOUT THE WRITTEN PERMISSION OF TYCO ELECTRONICS CORPORATION, HARRISBURG, PENNSYLVANIA, USA.