

4

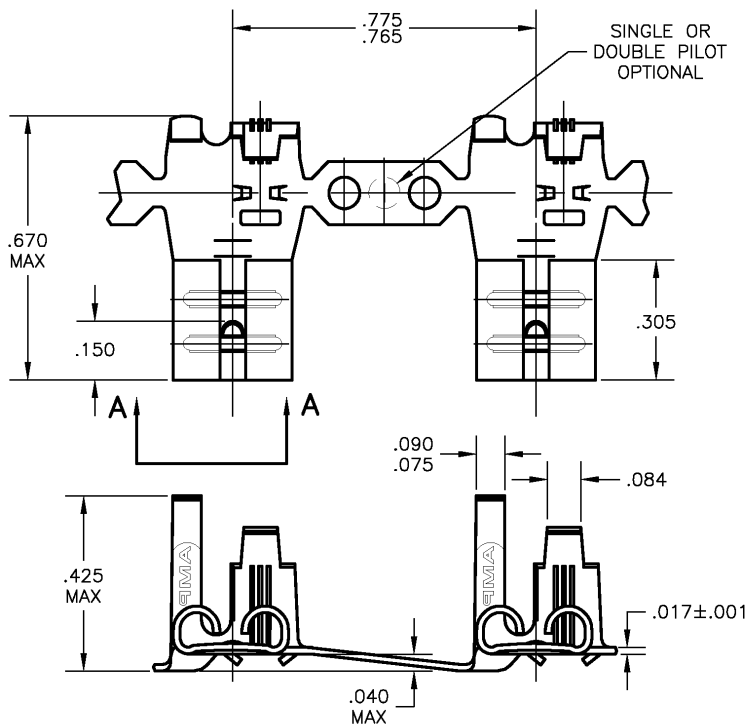
3

2

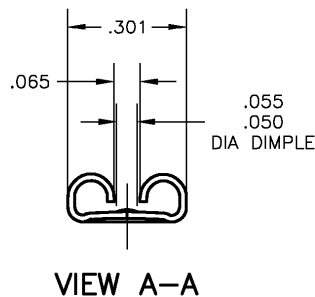
1

THIS DRAWING IS UNPUBLISHED. RELEASED FOR PUBLICATION  
 © COPYRIGHT BY TYCO ELECTRONICS CORPORATION. ALL RIGHTS RESERVED.

LOC	DIST	REVISIONS			
P	LTR	DESCRIPTION	DATE	DWN	APVD
AF	50	A	REDRAWN PER 0G3A-0636-02	17OCT02	JR PD



- 1 CONTINUOUS STRIP ON REELS
- 2 MATING TAB THK IS .032±.001.
- 3 WIRE SIZE IS #18-#12 AWG
- 4 INSULATION RANGE IS .110-.210 DIA.



63517-1  
 PART NO.

THIS DRAWING IS A CONTROLLED DOCUMENT.		DWN JR RUTH 15OCT2002	Tyco Electronics Corporation Harrisburg, PA 17105	
DIMENSIONS: INCHES	TOLERANCES UNLESS OTHERWISE SPECIFIED:	CHK P DESANTIS 16OCT02	NAME P DESANTIS 16OCT02	
	0 PLC ± -	PRODUCT SPEC	RECEPTACLE, FLAG, FASTON, .250 SERIES	
	1 PLC ± -	APPLICATION SPEC	SIZE A3	CAGE CODE 00779
MATERIAL #4H BRASS	FINISH .000080 MIN TIN	WEIGHT	DRAWING NO 63517	RESTRICTED TO
CUSTOMER DRAWING			SCALE 4:1	SHEET 1 OF 1

AMP 1470-19 REV 31MAR2000

C:\ENGapps\TECacad\4.0\bin\