

4

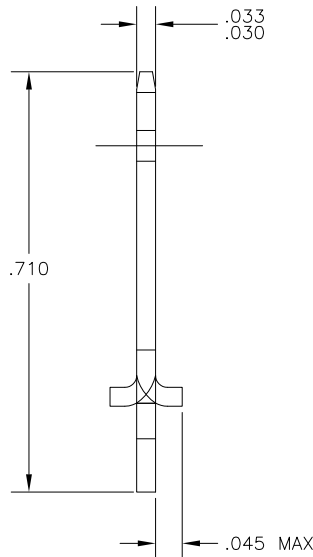
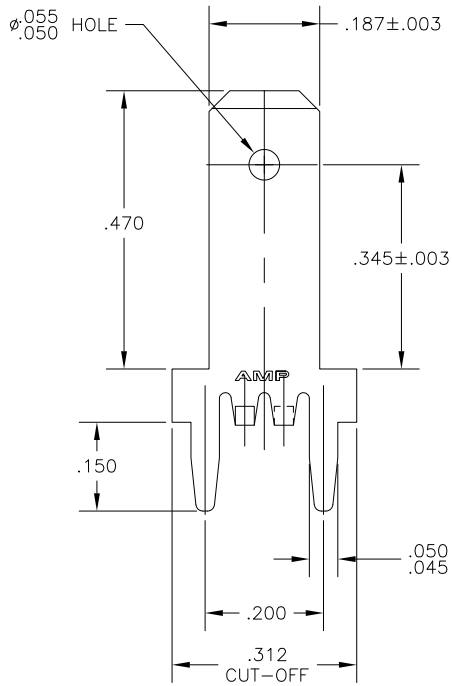
3

2

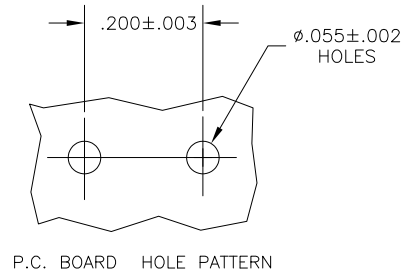
1

THIS DRAWING IS UNPUBLISHED. RELEASED FOR PUBLICATION
 © COPYRIGHT - BY TYCO ELECTRONICS CORPORATION. ALL RIGHTS RESERVED.

LOC	DIST	REVISIONS			
P	LTR	DESCRIPTION	DATE	DWN	APVD
AF	50				
	D1	REV PER ECR-11-003939	22FEB11	JR	PD



1 CONTINUOUS STRIP ON REELS.
 2 TIN PLATE .000150 MIN OVER
 .000100 MIN THK COPPER OR
 TIN PLATE .000150 MIN OVER
 .000050 MIN THK NICKEL.



1217124-1
 PART NO.

THIS DRAWING IS A CONTROLLED DOCUMENT.		DWN	JR RUTH	23MAR01	 Tyco Electronics Corporation Harrisburg, PA 17105-3608
DIMENSIONS: INCHES		CHK	MS FEHER	23MAR01	
TOLERANCES UNLESS OTHERWISE SPECIFIED: 0 PLC ± - 1 PLC ± - 2 PLC ± .010 3 PLC ± - 4 PLC ± - ANGLES ± -		APVD	N DEIBERT	23MAR01	NAME
		PRODUCT SPEC		TAB, FASTON, P.C.BOARD 4.75 [.187]	
MATERIAL		APPLICATION SPEC		SIZE	
082 BRASS		FINISH		CAGE CODE	
		WEIGHT		DRAWING NO	
		A3		00779	
		CUSTOMER DRAWING		C=1217124	
		SCALE		RESTRICTED TO	
		6:1		-	
		SHEET		REV	
		1 OF 1		D1	