

4

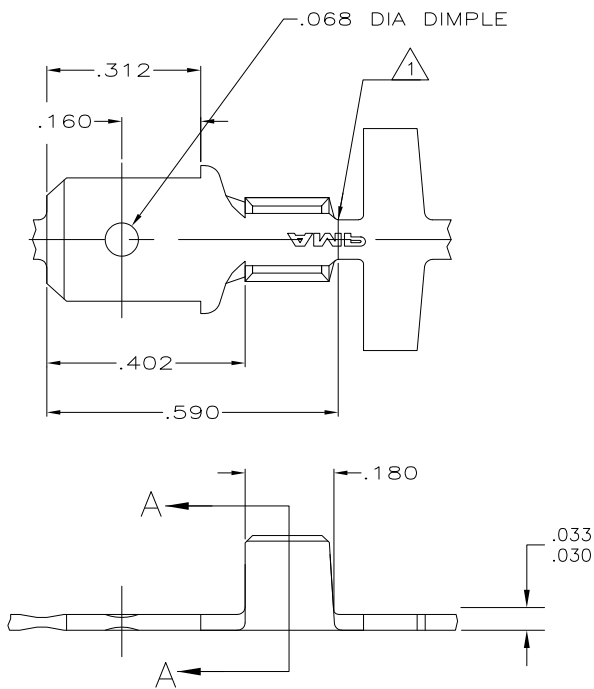
3

2

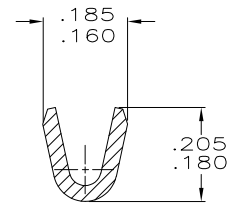
1

THIS DRAWING IS UNPUBLISHED. RELEASED FOR PUBLICATION  
 © COPYRIGHT - BY TYCO ELECTRONICS CORPORATION. ALL RIGHTS RESERVED.

LOC	DIST	REVISIONS				
P	LTR	DESCRIPTION	DATE	DWN	APVD	
AF	50	H	REVISED PER ECR-10-004058	08JUN10	HMR PD	



- 1 CUT-OFF IN APPLICATOR
- 2 CONTINUOUS STRIP ON REELS.
- 3 WIRE SIZE TO BE #18-#14 AWG.



SECTION A-A

61367-3  
 PART NO.

THIS DRAWING IS A CONTROLLED DOCUMENT.		DWN	JR RUTH	4/1/96	 Tyco Electronics Corporation Harrisburg, PA 17105-3608
DIMENSIONS: INCHES		CHK	MS FEHER	4/1/96	
TOLERANCES UNLESS OTHERWISE SPECIFIED:		APVD	V KARABECIEVSKY	4/1/96	NAME
0 PLC	± -	PRODUCT SPEC		TAB, FASTON, .250 SERIES	
1 PLC	± -	APPLICATION SPEC		RESTRICTED TO	
2 PLC	± -	SIZE	A3	CAGE CODE	00779
3 PLC	± .015	DRAWING NO	C-61367		SCALE
4 PLC	± -	WEIGHT	CUSTOMER DRAWING		5:1
ANGLES	± -	MATERIAL		SHEET	1 OF 1
082 BRASS		FINISH		REV	H
TIN		SCALE		5:1	