

4

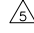
3

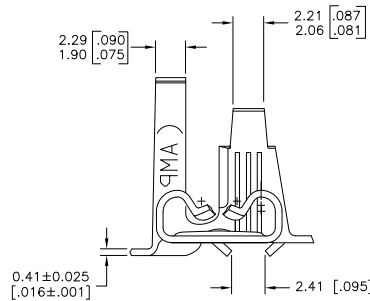
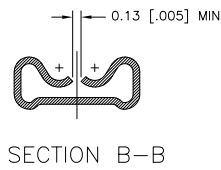
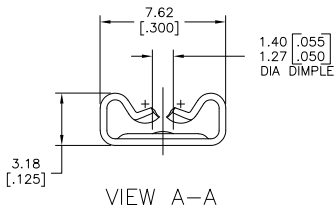
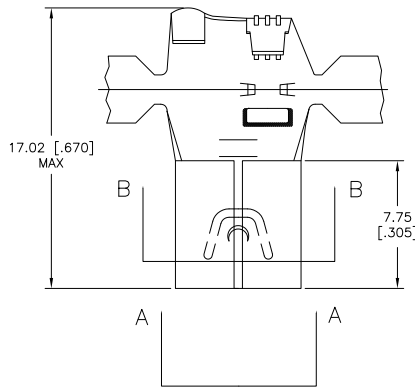
2

1

THIS DRAWING IS UNPUBLISHED. RELEASED FOR PUBLICATION
 © COPYRIGHT BY TYCO ELECTRONICS CORPORATION. ALL INTERNATIONAL RIGHTS RESERVED.

LOC		DIST		REVISIONS			
F	LNK	DESCRIPTION	DATE	BY	APP'D		
AF	50						
	A2	REVISED PER ECR-09-006369	20MAR09	HMR	PD		

- 1 CONTINUOUS STRIP ON REELS
- 2 WIRE SIZE: SINGLE 18-12, 2-18's OR 1-18/1-16
- 3 INSULATION RANGE IS 2.29-5.33 [.110-.210] DIA
- 4 MATING TAB THK IS 0.81±0.025 [.032±.001]
- 5  0.00381 [.000150] MIN NICKEL PLATE
- 6 12 AWG HAS NOT BEEN SUBMITTED TO UL FOR APPROVALS.



1742543-1
 PART NO

THIS DRAWING IS A CONTROLLED DOCUMENT.		DRN JF d/ab 26JAN07	Tyco Electronics Corporation Harrisburg, PA 17105-3608	
DIMENSIONS: mm [INCHES]		CHK P DESANTIS 26JAN07	RECEPTACLE, FASTON, FLAG, 6.35 [.250] SERIES	
TOLERANCES UNLESS OTHERWISE SPECIFIED:		APP'D P DESANTIS 26JAN07	NAME	RESTRICTED TO
0 PLG	± .005	PRODUCT SPEC	SIZE	—
1 PLG	± .005	APPLICATION SPEC	CAGE CODE	—
2 PLG	± .005	WEIGHT	DRAWING NO	—
3 PLG	± 0.25 [0.010]		A2 00779	—
4 PLG	± .005		C=1742543	—
ANGLES	± .5°			—
MATERIAL	CR STEEL		CUSTOMER DRAWING	SCALE: 6:1 SHEET 1 of 1 REV A2

1742543

A