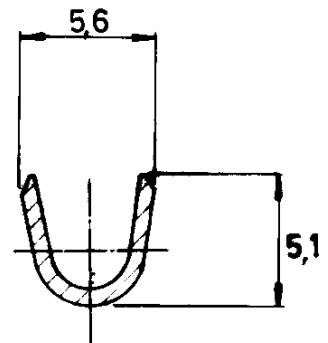
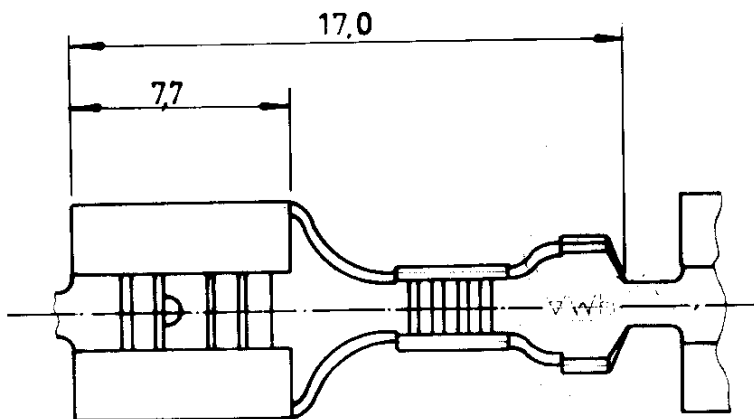
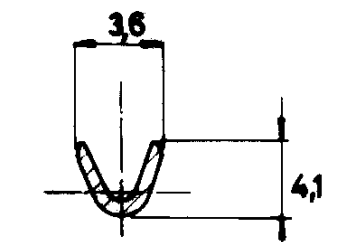
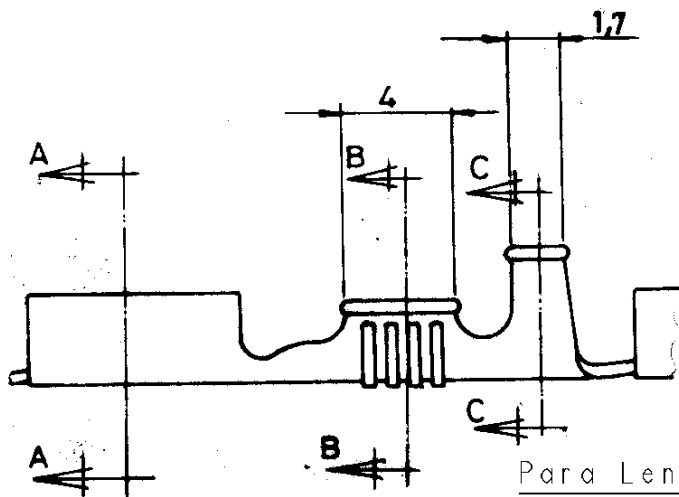


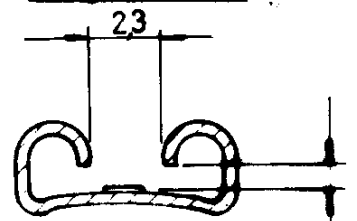
| LOC | DIST | REVISIONS   |                          |           |      |    |
|-----|------|-------------|--------------------------|-----------|------|----|
| P   | LTR  | DESCRIPTION | DATE                     | DWN       | APVD |    |
| AL  | 2    | G           | REVISED PER ES00-0011-04 | 15JAN2004 | JL   | JL |



SECCION C C



SECCION B-B



SECCION A-A

Para Lengüeta de 0,8 mm espesor  
For Tab of 0,8 mm thickness

WIRE RANGE: 1.0-2.5 MM2  
INS. RANGE Ø : 4.3 MAX.

|           |          |             |
|-----------|----------|-------------|
| PRE-TIN   | BRASS    | 1-735220-2  |
| SILVER    | BRASS    | 735220-5    |
| TIN-PLATE | BRONZE   | 735220-4    |
| ----      | BRONZE   | 735220-3    |
| TIN-PLATE | BRASS    | 735220-2    |
| ----      | BRASS    | 735220-1    |
| FINISH    | MATERIAL | PART MUNBER |

THIS DRAWING IS UNPUBLISHED. RELEASED FOR PUBLICATION 20

BY TYCO ELECTRONICS CORPORATION. ALL RIGHTS RESERVED. COPYRIGHT 20

|  |  |                   |         |  |               |
|--|--|-------------------|---------|--|---------------|
| DIMENSIONS:<br>mm  |  | DWN<br>J. LAZARO  | 22JAN98 | MATERIAL   | FINISH        |
| TOLERANCES UNLESS OTHERWISE SPECIFIED:   |  | CHK<br>L. BATLLO  | 22JAN98 | Tyco Electronics<br>Barcelona Spain                        |               |
| 0 PLC ±<br>1 PLC ±GENERAL<br>2 PLC ±TOLERANCES<br>3 PLC ±0.3<br>4 PLC ±00<br>ANGLES ±0° 1' |  | APVD<br>L. BATLLO | 22JAN98 |  |               |
|  |  | PRODUCT SPEC      | 108     | NAME<br>FASTON RECEPTACLE 6.35 MM<br>RECEP. FASTON 6.35 MM |               |
|  |  | APPLICATION SPEC  | -       | SIZE   | CAGE CODE     |
|  |  | WEIGHT            | -       | A4   | 00779         |
|  |  | CUSTOMER DRAWING  |         | DRAWING NO   | RESTRICTED TO |
|  |  |                   |         | C=735220   | -             |
|  |  |                   |         | SCALE  | SHEET         |
|  |  |                   |         | 4:1  | 1 OF 1        |
|  |  |                   |         | REV  | G             |