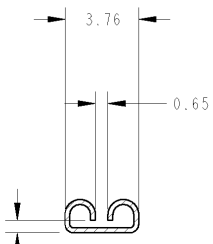
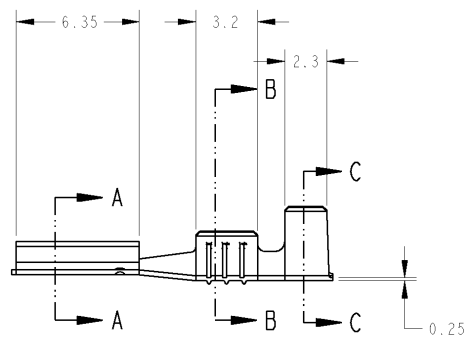
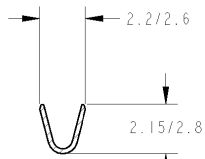


THIS DRAWING IS UNPUBLISHED.  
 DIFFUSION RESTREINTE AMP  
 © COPYRIGHT 19...  
 RELEASED FOR PUBLICATION  
 TOUTE LA DIFFUSION  
 BY AMP INCORPORATED. ALL RIGHTS RESERVED.  
 TOUS DROITS RESERVES

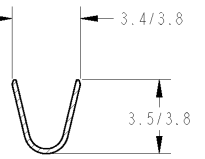
LOC	DIST	REVISIONS				
P	LTR	REV	DESCRIPTION MODIFICATIONS	DATE	DWN	APP
		A	Coupe CC, 3.5/3.8 etait 3.81	29NOV2004	GR	GR
		A1	REVISED PER ECO-09-026495	13JAN10	KK	AEG



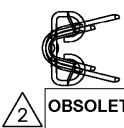
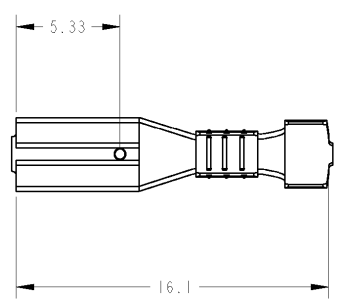
Entre-fer pour languette 2.8 x 0.8  
 Gap for tab 2.8 x 0.8 series.



COUPE B-B



COUPE C-C



2	OBSELETE	DIA. ISOLANT	SECTION mm2	Ep. TAB	FINITION	MATIERE	REFERENCE VRAC PREFORME	REFERENCE VRAC	REFERENCE
		1.5 2.5	0.3 1	0.8	POST ETAME	LAITON	141287-3	/	140825-3
		1.5 2.5	0.3 1	0.8	PRE ETAME	LAITON	141287-2	140852-2	140825-2
		1.5 2.5	0.3 1	0.8	BRUT	LAITON	141287-1	140852-1	140825-1

1 PRODUIT LIVRE EN BANDE. PAS 17.9±0.1.  
 CONTINUOUS STRIP ON REEL, FEED 17.9±0.1.

2 OBSELETE PARTS: OBSELETE CIS STREAMLINING PER D.RENAUD/D.SINISI

<small>THIS DRAWING IS A CONTROLLED DOCUMENT FOR AMP INCORPORATED          IT IS SUBJECT TO CHANGE AND THE CONTROLLING ENGINEERING          ORGANIZATION SHOULD BE CONTACTED FOR THE LATEST REVISION.          LE PLAN EST UN DOCUMENT CONTROLÉ PAR AMP INCORPORATED.          IL EST SUSCEPTIBLE D'ÊTRE REVISÉ. CONTACTER LE SERVICE          TECHNOLOGIE D'AMP DE FRANCE POUR OBTENIR LA DERNIÈRE RÉVISION.</small>		DWN / DESSINE Gérard ROBERT 09DEC97	AMP DE FRANCE 95301 PONTOISE
DIMENSIONS: mm	TOLERANCES UNLESS OTHERWISE SPECIFIED TOLERANCES NON SPECIFIEES SAUF INDICATION DE DECIMALES: 0. PLC / DEC: ±. 1. PLC / DEC: ±0.5 2. PLC / DEC: ±0.13 3. PLC / DEC: ±0.013 4. PLC / DEC: ±0.001 ANGLES ±.	DWN / VERIFIE Gérard ROBERT 09DEC97	<b>AMP</b>
	MATERIAL MATIERE VOIR TABLEAU	DWN / APPROUVE Yves PETRONIL 09DEC97	.110 SERIES RECEPTACLE, FASTON
FINISH FINITION VOIR TABLEAU	PRODUCT SPEC SPEC. PRODUIT - APPLICATION SPEC SPEC. APPLICATION 114-35000	NAME TITRE - -	DRAWING NO N°-PLAN 140825
WEIGHT MASSE APPROX. -	CUSTOMER DRAWING /PLAN CLIENT	SIZE FORMAT A3	RESTRICTED TO RESERVE A -
UNIFORMITY POUR REFERENCE	SCALE ECHELLE 1:1	SHEET FEUILLE 1	REV A1