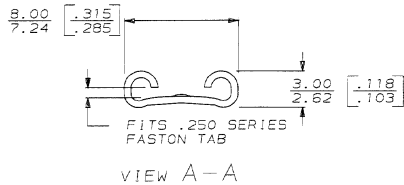
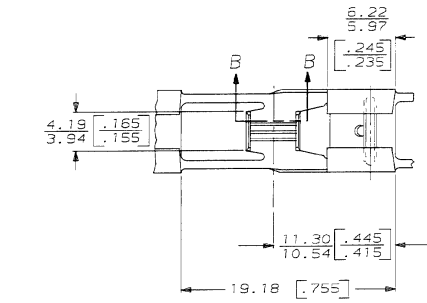


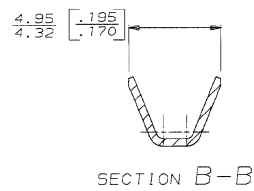
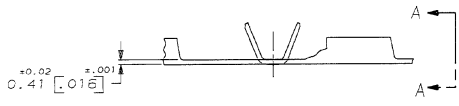
DRAWING MADE IN THIRD ANGLE PROJECTION

THIS DRAWING IS UNPUBLISHED. RELEASED FOR PUBLICATION
 © COPYRIGHT 1987 BY AMP INCORPORATED, HARRISBURG, PA. ALL INTERNATIONAL RIGHTS RESERVED. AMP PRODUCTS MAY BE COVERED BY U.S. AND FOREIGN PATENTS AND/OR PATENTS PENDING.

| LOC | DIST | REV | ZONE | LTR | DESCRIPTION | DATE | APPROVED |
|-----|------|-----|------|-----|-----------------|----------|----------|
| AF | 50 | | | | REVISED AF-7659 | 10/17/87 | |



1- DIMENSIONS IN BRACKETS ARE IN INCHES.
 2- CONTINUOUS STRIP ON REELS.



| PART NO. | WIRE | | WIRE BARREL CRIMP | | | TENSILE STRENGTH POUNDS |
|----------|------|----------|-------------------|--------------|---------------|-------------------------|
| | QTY | SIZE AWG | WIDTH | CRIMP HEIGHT | CRIMPER ANVIL | |
| 63315-1 | 1 | 14 | .071 | | | 50 |
| | 1 | 16 | .120 | .063 | F FLAT | 30 |
| | 1 | 18 | | .057 | | 20 |

| TIN | 0.8-2.0mm [18-14] | .081 ^{+0.025} [.032 ^{+0.001}] | 63315-2 |
|---|--|--|------------------|
| FINISH | 0.8-2.0mm [18-14] | .081 ^{+0.025} [.032 ^{+0.001}] | 63315-1 |
| FINISH | WIRE SIZE | TAB THK | PART NO |
| UNLESS OTHERWISE SPECIFIED DIMENSIONS ARE IN MM TOLERANCES ON : 2 PL DEC = - 3 PL DEC = 0.25 [.010] ANGLES = - | DR <i>LR Rith</i> 6/16/87 CHK G YETTER 6/17/87 APPD C MEYERS 6/17/87 | AMP INCORPORATED Harrisburg, Pa. 17105 | |
| MATERIAL 4M BRASS | APPD R KUZO 6/17/87 PRODUCT SPEC - | NAME RECEPTACLE, FASTON, FLAG, .250 SERIES | |
| FINISH SEE TABLE | APPLICATION SPEC - WEIGHT - | SIZE C | FSCM NO 00779 |
| | | DRAWING NO 63315 | |
| | | SCALE NTS | SHEET 1 OF 1 |

METRIC

AMP 1471-7 REV 10-84

17 001 1861 15 21 41 AMP 3485 65128400727104621314 FASTON-250-228-F

CUSTOMER DRAWING