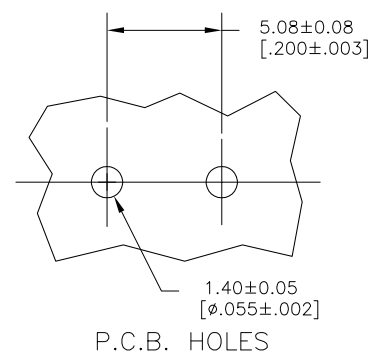
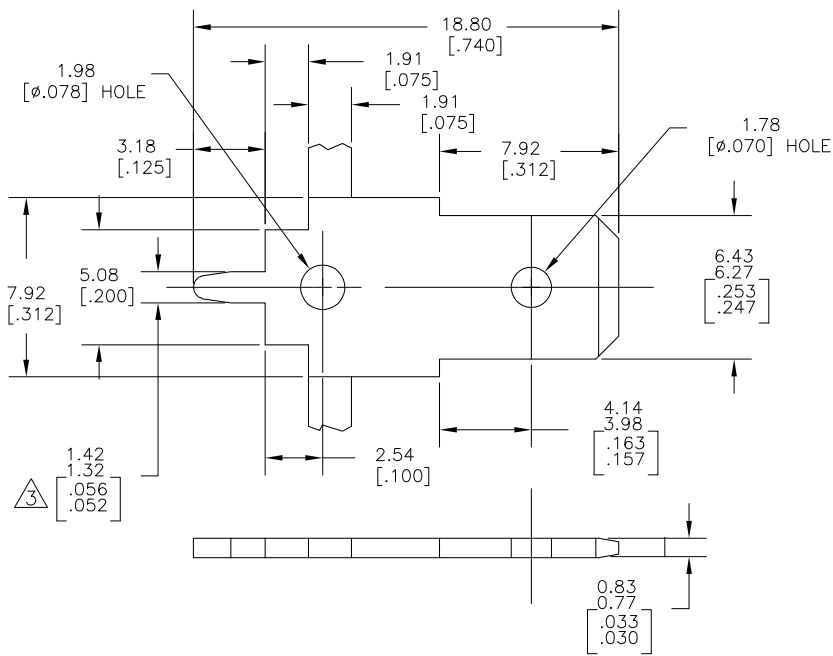


THIS DRAWING IS UNPUBLISHED. RELEASED FOR PUBLICATION
 © COPYRIGHT BY TYCO ELECTRONICS CORPORATION. ALL RIGHTS RESERVED.

LOC	DIST	REVISIONS					
AF	50	P	LTR	DESCRIPTION	DATE	DWN	APVD
		D		REV PER ECR-05-017407	12APR06	HMR	KR



1 CONTINUOUS STRIP ON REELS

② TIN PLATE 0.00381 [.000150] MIN OVER
 0.00254 [.000100] MIN THK COPPER.

③ FINAL DIMENSION MUST BE APPROVED
 BY CUSTOMER BEFORE PURCHASE
 ORDER.

1217154-1
 PART NO.

THIS DRAWING IS A CONTROLLED DOCUMENT.		DWN JR RUTH 14FEB01	Tyco Electronics Corporation Harrisburg, PA 17105-3608	
DIMENSIONS: mm [INCHES]		CHK MS FEHER 14FEB01	NAME TAB, FASTON, P.C.BOARD 6.35 [.250] SERIES	
TOLERANCES UNLESS OTHERWISE SPECIFIED:		APVD N DEIBERT 14FEB01	PRODUCT SPEC —	RESTRICTED TO —
0 PLC ± - 1 PLC ± - 2 PLC ± 0.25 [.010] 3 PLC ± - 4 PLC ± - ANGLES ± -		APPLICATION SPEC 114-2112	SIZE A3	CAGE CODE 00779
MATERIAL 082 BRASS	FINISH ③	WEIGHT —	DRAWING NO C=1217154	SCALE 6:1
CUSTOMER DRAWING			SHEET 1 of 1	REV D