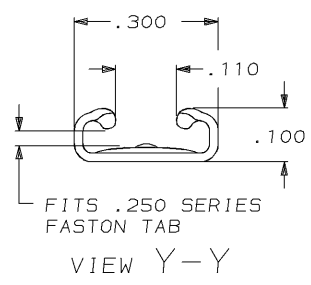
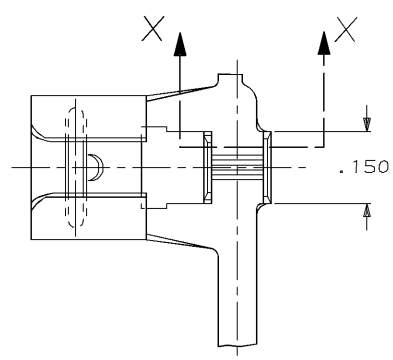
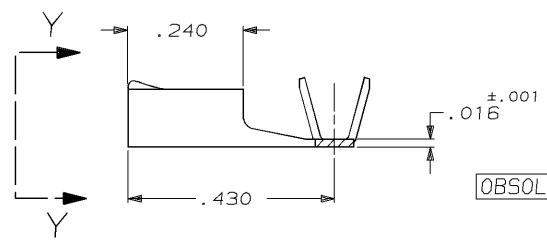
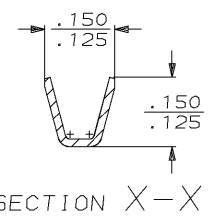


THIS DRAWING IS UNPUBLISHED. RELEASED FOR PUBLICATION, 19  
 © COPYRIGHT 19 BY AMP INCORPORATED. ALL INTERNATIONAL RIGHTS RESERVED.

LOC	DIST	REVISIONS				
P	F	ZONE	LTR	DESCRIPTION	DATE	APPD
AF	50		E	OBS -2 PER 0520-94	10/6/94	JR/PD



1 CONTINUOUS STRIP ON REELS



OBsolete	PRE-TIN	18-14	.032	63508-2			
	FINISH	WIRE SIZE	MATING TAB THK ±.001	PART NO			
		18-14	.032	63508-1			
.218	F	.110	.070	14	DO NOT SCALE PRINT. UNLESS SPECIFIED DIMENSIONS IN INCHES TOLERANCES ON: 1. PLC DEC ± .010 2. ANGLES ±	DR JR RUTH 8/3/88	AMP INCORPORATED Harrisburg, Pa. 17105
						CHK M FEHER 8/3/88	
STRIP LENGTH ±.015	TYPE	WIDTH	±.002 HEIGHT	WIRE	MATERIAL 4M BRASS	APPD C MEYERS 8/4/88	NAME RECEPTACLE, FASTON,™ FLAG, .250 SERIES
						APPD R KUZO 8/4/88	
FINISH SEE TABLE						PRODUCT SPEC	SIZE B
APPLICATION SPEC						SCALE 5:1	
WEIGHT -						DRAWING NO 63508	SHEET 1 OF 1

STRIP LENGTH ±.015	TYPE	WIDTH	±.002 HEIGHT	WIRE
	F	.110	.070	14
			.061	16
			.055	18

WIRE BARREL CRIMP