

4

3

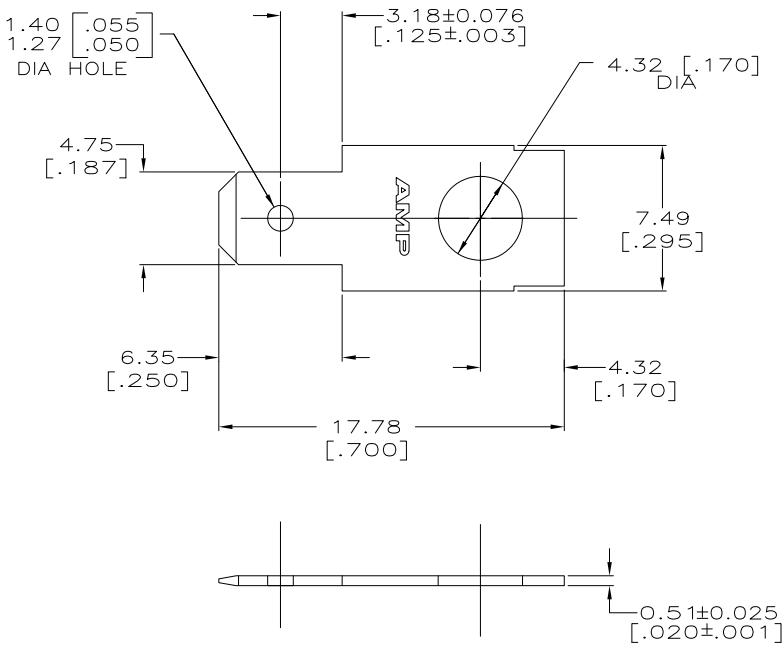
2

1

THIS DRAWING IS UNPUBLISHED. RELEASED FOR PUBLICATION
 © COPYRIGHT - BY TYCO ELECTRONICS CORPORATION. ALL INTERNATIONAL RIGHTS RESERVED.

LOC	DIST	REVISIONS				
P	LTR	DESCRIPTION	DATE	DWN	APVD	
AF	50	F	REVISED PER ECR-10-004058	08JUN10	HMR PD	

1 SUPPLIED IN LOOSE PIECE.



1217724-1
 PART NO.

THIS DRAWING IS A CONTROLLED DOCUMENT.		DWN	JR RUTH	01OCT01	 Tyco Electronics Corporation Harrisburg, PA 17105-3608
DIMENSIONS: mm [INCHES]		CHK	MS FEHER	01OCT01	
TOLERANCES UNLESS OTHERWISE SPECIFIED: 0 PLC ± - 1 PLC ± - 2 PLC ± 0.38 [015] 3 PLC ± - 4 PLC ± - ANGLES ± -		APVD	N DEIBERT	01OCT01	NAME
		PRODUCT SPEC		TAB, FASTON, .187 SERIES	
MATERIAL		APPLICATION SPEC		SIZE	RESTRICTED TO
082 BRASS		FINISH		A3	00779
TIN		WEIGHT		C	1217724
		CUSTOMER DRAWING		SCALE	5:1
				SHEET	1 OF 1
				REV	F

1470-19 (1/08)