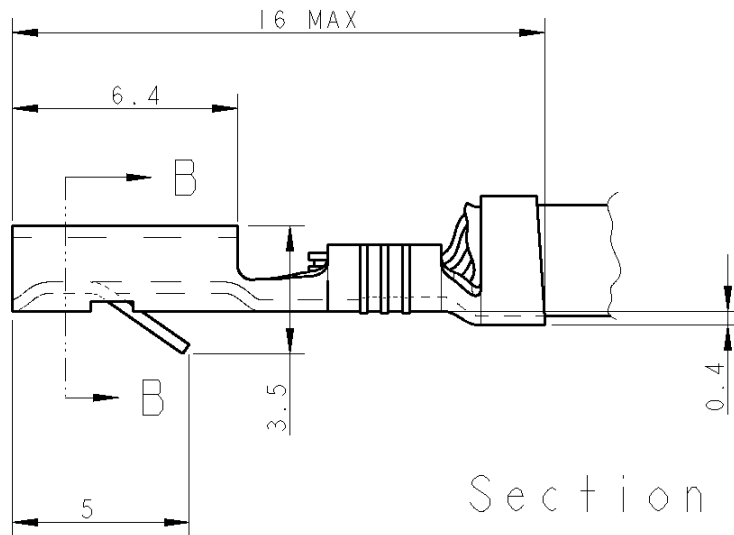
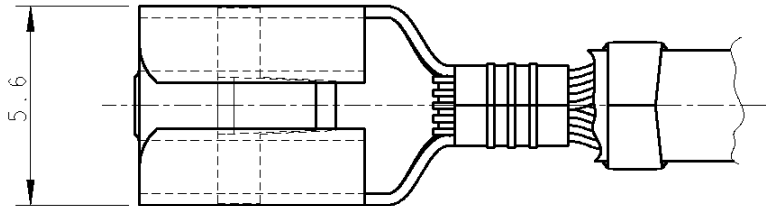


LOC	DIST	REVISIONS					
		P	LTR	DESCRIPTION	DATE	DWN	APVD
			M	REDRAWN ET00-0107-04	06MAY2004	AV	CT
			M1	CHANGED Q.TY PER REEL ET00-0050-05	21APR2005	AV	GT
			M2	REVISED PER ECO-10-000445	09JAN10	KK	AEG

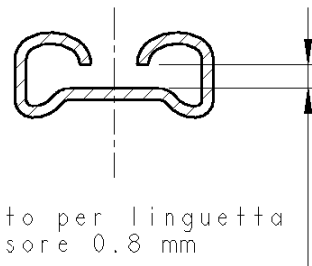


Section B-B

- ① OTTONE P/N 280919-1
BRASS P/N ~~280919-1~~ **OBSOLETE** ②
OTTONE STAGNATO 280919-2
TIN BRASS P/N 280919-2
BRONZO FOSF. STAGNATO 280919-4
TIN PHOS.BRZ. P/N 280919-4

WIRE RANGE 0.5-1.5 mm²
INSULATION 2.3-3.3 mm DIA.

- ② **OBSOLETE PARTS: OBSOLETE CIS**
STREAMLINING PER D.RENAUD/D.SINISI



2004
 RELEASED FOR PUBLICATION
 THIS DRAWING IS UNPUBLISHED.
 BY TYCO ELECTRONICS CORPORATION. ALL RIGHTS RESERVED.
 COPYRIGHT 2004

DIMENSIONS: mm	DWN A. Vecchia	06MAY2004	MATERIAL	①	FINISH	-
	CHK C. Tartari	06MAY2004	tyco Electronics AMP Italia S.p.A. 10093 Collegno TO			
TOLERANCES UNLESS OTHERWISE SPECIFIED:	APVD C. Tartari	06MAY2004				
0 PLC ±0.4	PRODUCT SPEC	108-20020	NAME CONTATTO FASTIN-ON FEMMINA SERIE 4.8 mm 4.8 mm SERIES FASTIN-ON RECEPTACLE			
1 PLC ±	APPLICATION SPEC	-	SIZE	CAGE CODE	DRAWING NO	RESTRICTED TO
2 PLC ±	WEIGHT	-	A 4	00779	③-280919	-
3 PLC ±	CUSTOMER DRAWING					
4 PLC ±	SCALE 5:1					SHEET 1 OF 1
ANGLES ±1°	REV M2					