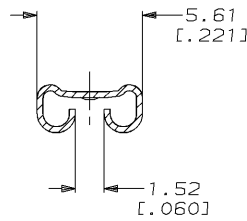
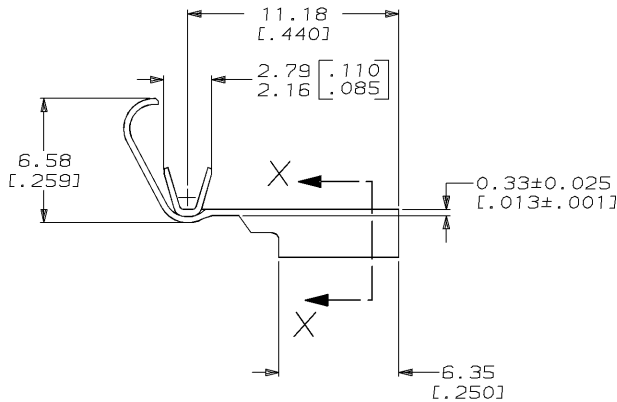
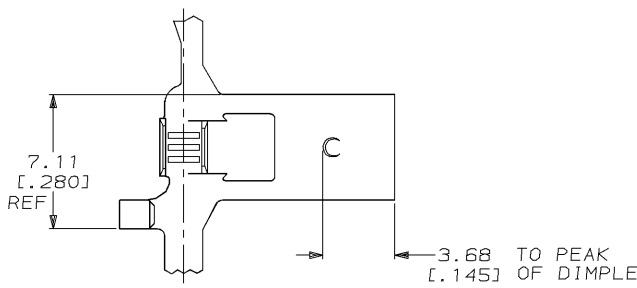


DRAWING MADE IN THIRD ANGLE PROJECTION

THIS DRAWING IS UNPUBLISHED. RELEASED FOR PUBLICATION, 19 .
 © COPYRIGHT 19 BY AMP INCORPORATED. ALL INTERNATIONAL RIGHTS RESERVED.

| LOC | DIST | REVISIONS | | | | |
|-----|------|-----------|-----|-------------------------|---------|-------|
| P | F | ZONE | LTR | DESCRIPTION | DATE | APPD |
| AF | 50 | | H | OBS -1 PER 0710-0266-96 | 9/16/96 | JR/JH |

- 1 CONTINUOUS STRIP ON REELS.
- 2 ACCEPTS WIRE SIZE [#22-#18] AWG
- 3 INSULATION RANGE TO BE 1.52-2.79 [.060-.110] DIA.
- 4 MATING TAB THK TO BE 0.813±0.025 [.032±.001].



SECTION X-X
SCALE 10:1

| | | |
|----------|---------|---------|
| OBSOLETE | - | 63405-2 |
| | PRE-TIN | 63405-1 |
| | FINISH | PART NO |

| | |
|--|--------------------------------|
| DO NOT SCALE PRINT. UNLESS SPECIFIED DIMENSIONS IN mm [INCHES] TOLERANCES ON: 2 PLC DEC ± 0.25 [.010] 3 PLC DEC ± - ANGLES ± - | DR 1/25/96 JR RUTH |
| MATERIAL H04 BRASS | CHK 1/25/96 NS FEHER |
| FINISH SEE TABLE | APPD 1/25/96 J HIZVAR |
| | APPD 1/25/96 V KARABCIEVSKY |
| | PRODUCT SPEC |
| | APPLICATION SPEC |
| | WEIGHT - |

| | |
|--|-----------------------|
| AMP AMP Incorporated Harrisburg, PA 17105-3608 | |
| NAME RECEPTACLE, FASTON, FLAG, 4.75 [.187] SERIES | |
| SIZE B | CAGE CODE 00779 |
| SCALE 5:1 | DRAWING NO C=63405 |
| | SHEET 1 OF 1 |

THIS DRAWING IS A CONTROLLED DOCUMENT FOR AMP INCORPORATED. IT IS SUBJECT TO CHANGE AND THE CONTROLLING ENGINEERING ORGANIZATION SHOULD BE CONTACTED FOR THE LATEST REVISION.

AMP 1470-15 REV 3-92

16-SEP-96 09:22:40 amp13469 /ws/dept12121/dwg2121/u.faston-ceb/u.187-fl

CUSTOMER DRAWING