

4

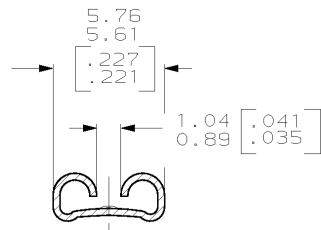
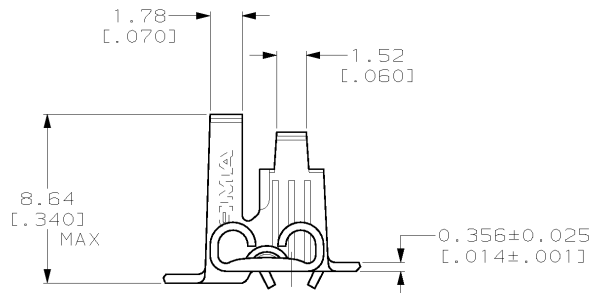
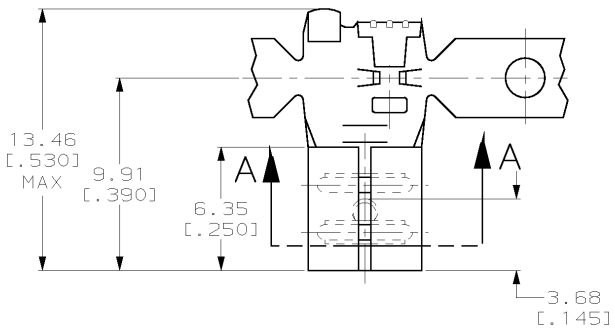
3

2

1

THIS DRAWING IS UNPUBLISHED. RELEASED FOR PUBLICATION .19
 © COPYRIGHT 19 BY AMP INCORPORATED. ALL RIGHTS RESERVED.

LOC	DIST	REVISIONS				
P	LTR	DESCRIPTION	DATE	DWN	APVD	
AF	50	B	REL PER 061A-0059-98	3/17/98	JR	JG



SECTION A-A

- 1 CONTINUOUS STRIP ON REELS.
- 2 WIRE SIZE [#18-#14] AWG.
- 3 INSULATION RANGE 2.79-4.83 [.110-.190] DIA.
- 4 MATING TAB THK TO BE 0.813±0.025 [.032±.001].

1217027-1
 PART NO.

THIS DRAWING IS A CONTROLLED DOCUMENT.		DWN	JR RUTH	11/17/97	AMP AMP Incorporated Harrisburg, PA 17105-3608
DIMENSIONS: MM (INCHES)		CHK	MS FEHER	11/17/97	
TOLERANCES UNLESS OTHERWISE SPECIFIED:		APVD	P. DESANTIS	11/17/97	NAME
0 PLC	±	PRODUCT SPEC		RECEPTACLE, FASTON™ FLAG, 4.75 [.187] SERIES	
1 PLC	±	APPLICATION SPEC		SIZE	CAGE CODE
2 PLC	±0.25 (.010)	114-2078		A3100779	DRAWING NO
3 PLC	±	MATERIAL H04 BRASS		1217027	
4 PLC	±	FINISH 0.002032 [.000080] MIN TIN		RESTRICTED TO	
ANGLES	±	CUSTOMER DRAWING		SCALE	SHEET
		WEIGHT -		5:1	1 OF 1
				REV	B