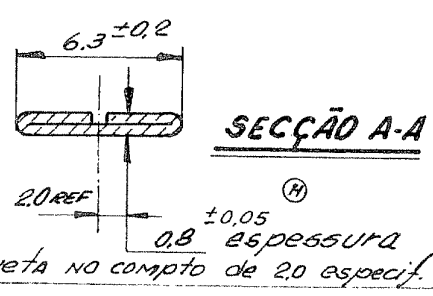
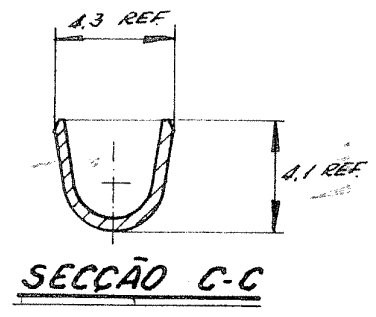
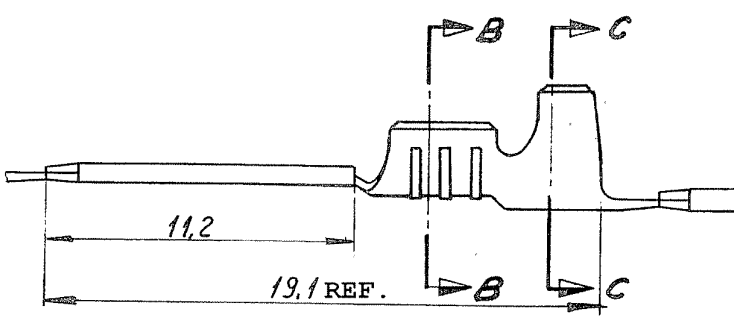
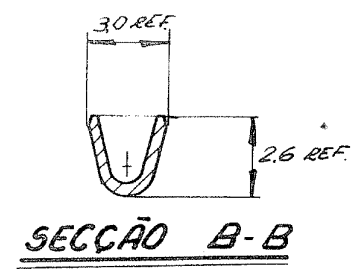
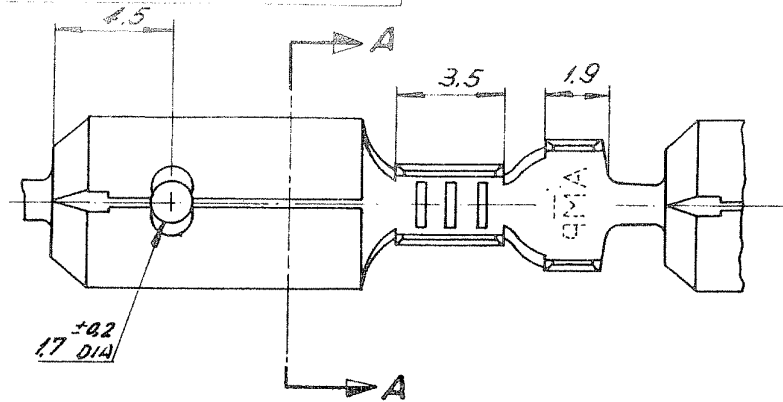


© Copyright 1977 by AMP DO BRASIL - S. P. All International Rights Reserved. Any and all rights reserved for and in any patents and/or patents pending.

REV.	DESCRIPTION	DATE	APPROVE
G	REVISADO	27.07	WLS
H	REVISADO EC 0556/90	12.90	
J	REV. BY ECO 09-019513	SEP09	WLS



L.R. NUMBER	ACABAMENTO	MATERIAL	PART NO
<del>626417-4</del>	<del>PRATEADO</del>	<del>BRONZE F0350205</del>	<del>626377-4</del>
<del>626417-3</del>	<del>---</del>	<del>BRONZE F0350205</del>	<del>626377-3</del>
<del>626417-2</del>	<del>POS-ESTANHADO</del>	<del>LATAO</del>	<del>626377-2</del>
<del>626417-1</del>	<del>---</del>	<del>LATAO</del>	<del>626377-1</del>

UNLESS OTHERWISE SPECIFIED DIMENSIONS ARE IN INCHES. TOLERANCES ON: DECIMALS ANGLES	CONTRACT NO	TOLERANCE	TYCO ELECTRONICS Do Brasil LTDA. São Paulo - Brasil
	DR <i>Andrieu</i> 16/9/77	±0.5mm	
MATERIAL	CHK <i>Andrieu</i> 16/9/77	NAME	.250 FASTON TAB
VER TABELA	APPD	SIZE	
GENERAL	WIRE-RANGE	LOC	DRAWING NO
VER TABELA	22-18 AWG	A	626377
	INSUL-RANGE	SCALE	REV. J
	Ø 2.0-3.0 MM	4:1	SHEET 1 de 1