

4

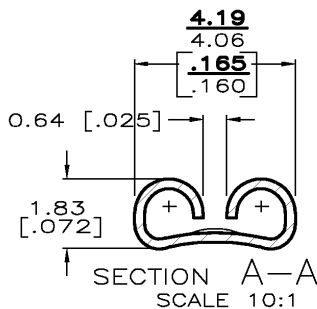
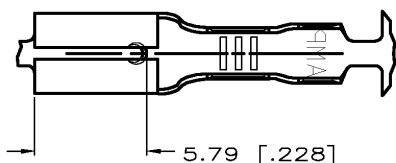
3

2

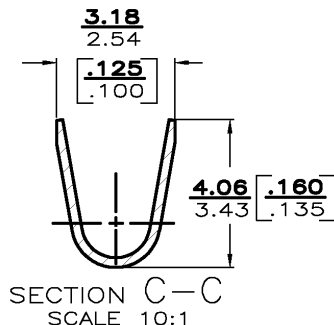
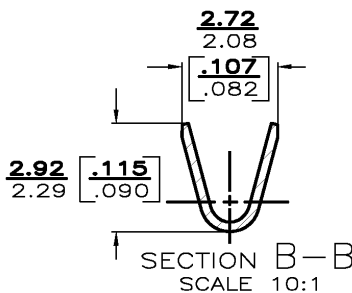
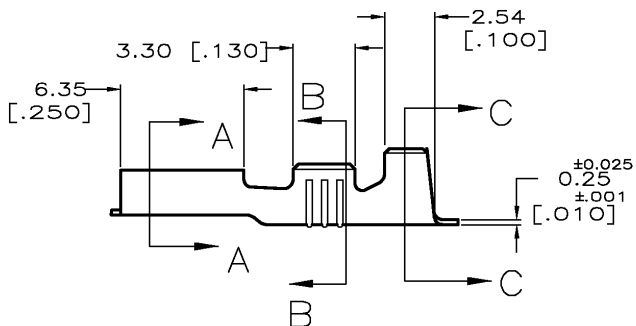
1

THIS DRAWING IS UNPUBLISHED. RELEASED FOR PUBLICATION
 © COPYRIGHT BY TYCO ELECTRONICS CORPORATION. ALL RIGHTS RESERVED.

LOC	DIST	REVISIONS			
P	LTR	DESCRIPTION	DATE	DWN	APVD
AF	50				
		D	REV PER 0G3A-0715-02	25NOV02	JR PD



- 1 CONTINUOUS STRIP ON REELS
 - 2 WIRE SIZE IS #22-#18 AWG
 - 3 INSULATION RANGE IS 2.29-2.79 [.090-.110] DIA.
 - 4 MATING TAB THK IS 0.51±0.025 [.020±.001].
- ⚠ PRELIMINARY - NOT FOR PRODUCTION



H04 PHOS BRONZE	⚠ 63705-3
H04 BRASS	⚠ 63705-2
H04 BRASS	63705-1
MATERIAL	PART NO.

THIS DRAWING IS A CONTROLLED DOCUMENT.		DWN	JR RUTH	3/31/83	Tyco Electronics Corporation Harrisburg, PA 17105
DIMENSIONS: mm [INCHES]		CHK	MS FEHER	3/31/83	
TOLERANCES UNLESS OTHERWISE SPECIFIED:		APVD	J GILLISPIE	3/31/83	NAME RECEPTACLE, FASTON, 3.18 [.125] SERIES
0 PLC ± -		PRODUCT SPEC			
1 PLC ± -		APPLICATION SPEC			SIZE CAGE CODE DRAWING NO RESTRICTED TO A3 00779 C-63705 -
2 PLC ± 0.25 [.010]		WEIGHT			
3 PLC ± -		CUSTOMER DRAWING			SCALE 5:1 SHEET 1 OF 1 REV D
4 PLC ± -					
ANGLES ± -					
MATERIAL	SEE TABLE	FINISH			

AMP 1470-19 REV 31MAR2000

H:\dmtectmod\