

4

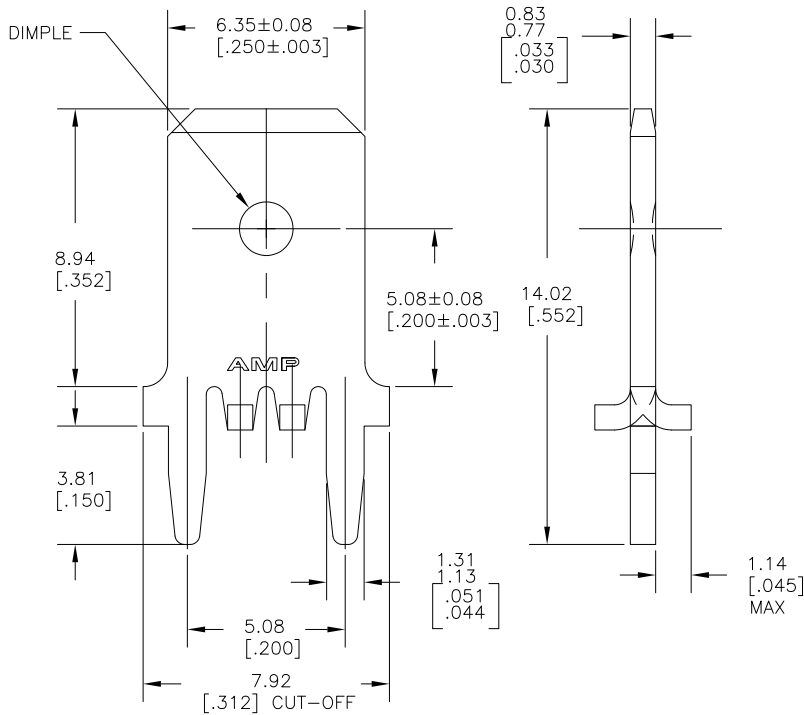
3

2

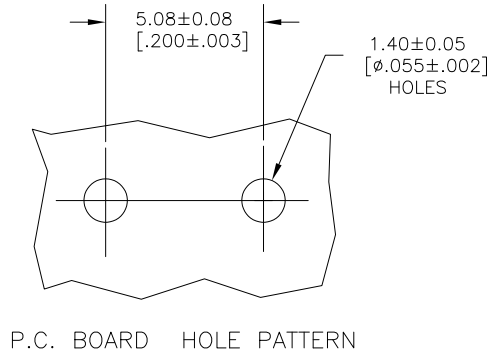
1

THIS DRAWING IS UNPUBLISHED. RELEASED FOR PUBLICATION
 © COPYRIGHT - BY TYCO ELECTRONICS CORPORATION. ALL RIGHTS RESERVED.

LOC	DIST	REVISIONS				
P	LTR	DESCRIPTION	DATE	DWN	APVD	
A2		REVISED PER ECR-08-009473	19APR08	HMR	KR	



- 1 SUPPLIED IN LOOSE PIECE.
- 2 TIN PLATE 0.00381 [.000150] MIN OVER 0.00254 [.000100] MIN THK COPPER.



1742686-1
 PART NO.

THIS DRAWING IS A CONTROLLED DOCUMENT.		DWN	JR RUTH	10MAR08	Tyco Electronics		Tyco Electronics Corporation
DIMENSIONS:		CHK	KURT RANDOLPH	10MAR08	Harrisburg, PA 17105-3608		
INCHES		APVD	KURT RANDOLPH	10MAR08	NAME		TAB, FASTON, P.C.BOARD
TOLERANCES UNLESS OTHERWISE SPECIFIED:		PRODUCT SPEC		SIZE		CAGE CODE	DRAWING NO
0 PLC	± -	APPLICATION SPEC		114-2115		00779	1742686
1 PLC	± -	WEIGHT		RESTRICTED TO		-	
2 PLC	± 0.25 [010]	MATERIAL		CUSTOMER DRAWING		SCALE 8:1 SHEET 1 OF 1 REV A2	
3 PLC	± -	FINISH		SCALE		SHEET	
4 PLC	± -	082 BRASS		8:1		1 OF 1	
ANGLES	± -	FINISH		SCALE		SHEET	
	± -	082 BRASS		8:1		1 OF 1	