

4

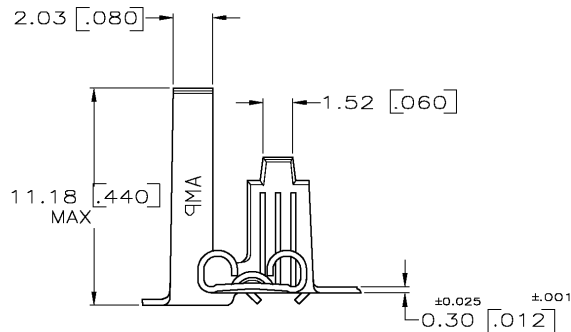
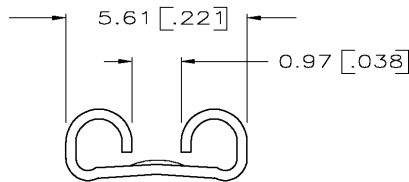
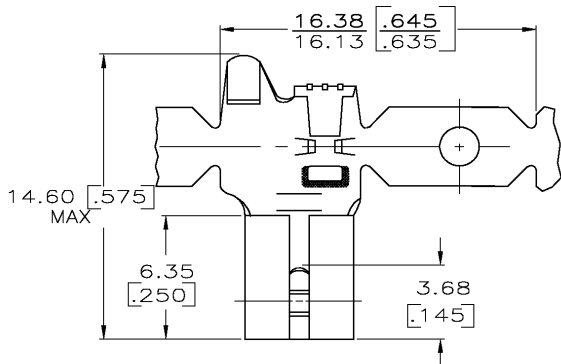
3

2

1

THIS DRAWING IS UNPUBLISHED. RELEASED FOR PUBLICATION
 © COPYRIGHT - BY TYCO ELECTRONICS CORPORATION. ALL RIGHTS RESERVED.

LOC	DIST	REVISIONS				
P	LTR	DESCRIPTION	DATE	DWN	APVD	
AF	50	E	REV PER 0G3A-0856-04	26OCT04	JR	PD



- CONTINUOUS STRIP ON REELS
- DIMENSIONS IN BRACKETS ARE IN INCHES
- WIRE SIZE IS [#20-#16] AWG
- INSULATION RANGE IS 4.32-5.71 [.170-.225] DIA
- MATING TAB THK IS 0.51±0.025 [.020±.001]
- △ PRELIMINARY - NOT FOR PRODUCTION

0.002032 [.000080] MIN TIN	△ 62817-2
-	62817-1
FINISH	PART NO.

THIS DRAWING IS A CONTROLLED DOCUMENT.		DWN	JR RUTH	5/19/87	 Tyco Electronics Corporation Harrisburg, Pa 17105-3608
DIMENSIONS: INCHES		CHK	G YETTER	7/9/87	
TOLERANCES UNLESS OTHERWISE SPECIFIED:		APVD	R KUZO	7/9/87	NAME
0 PLC	± -	PRODUCT SPEC		RECEPTACLE, FASTON, FLAG, .187 SERIES	
1 PLC	± -	APPLICATION SPEC		-	
2 PLC	± -	WEIGHT		-	
3 PLC	± 0.38 [.015]	SIZE		A3 00779 C-62817	
4 PLC	± -	RESTRICTED TO		-	
ANGLES	± -	CUSTOMER DRAWING		SCALE 5:1 SHEET 1 OF 1 REV E	
MATERIAL	#4H BRASS	FINISH		SEE TABLE	