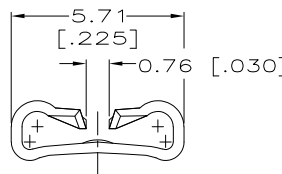
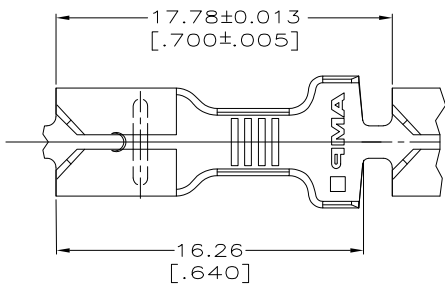


DRAWING MADE IN THIRD ANGLE PROJECTION

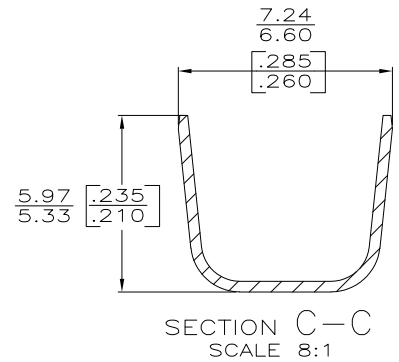
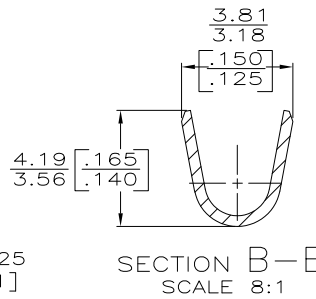
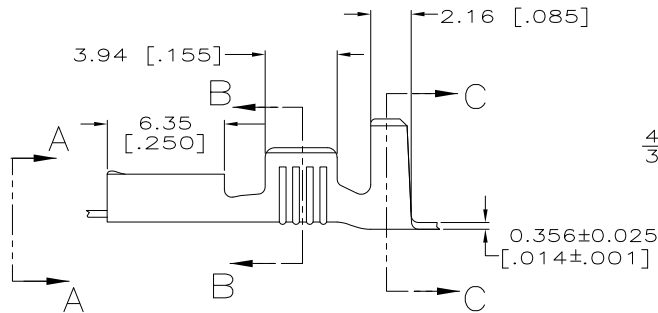
THIS DRAWING IS UNPUBLISHED. RELEASED FOR PUBLICATION .19
 © COPYRIGHT 19 BY AMP INCORPORATED. ALL INTERNATIONAL RIGHTS RESERVED.

LOC	DIST	P	F	ZONE	LTR	REVISIONS	DATE	APPD
AF	50					C1 REVISED PER ECO-09-020774	26AUG99	KK/AEG

5 OBSOLETE PARTS: OBSOLETE CIS STREAMLINING PER D.RENAUD/D.SINISI



- 1 CONTINUOUS STRIP ON REELS.
- 2 MATING TAB THK TO BE 0.635±0.025 [.025±.001].
- 3 WIRE SIZE IS [#18-#14]AWG, OR TWO [#16'S].
- 4 INSULATION RANGE IS 4.57-5.84 TWO AT 2.79 MAX, [.180-.230] OR TWO AT [.110 MAX].



5 OBSOLETE 0.002032 [.000080] MIN TIN 63832-2

FINISH		PART NO	
-		63832-1	
DO NOT SCALE PRINT. UNLESS SPECIFIED DIMENSIONS ARE IN mm [INCHES] TOLERANCES ON: 2. PLC DEC ± 0.25 [.010] 3. PLC DEC ± - ANGLES ± -		AMP AMP INCORPORATED Harrisburg, Pa. 17105 NAME RECEPTACLE, FASTON,™ 4.75 [.187] SERIES	
MATERIAL #4H BRASS	DR 3/17/95 JR RUTH CHK 3/17/95 MS FEHER APPD 3/17/95 P DESAMITS APPD 3/17/95 R REINER PRODUCT SPEC	SIZE B	CAGE CODE 00779
FINISH SEE TABLE	APPLICATION SPEC 114-2036	DRAWING NO 63832	SCALE 5:1
WEIGHT -		SHEET 10F 1	

AMP 1470-15 REV 6-89 Tronics/021107,155715 (YMMDD.HHMMSS) from
 CompServision, Inc., Medusa Revision 12.2.51

CUSTOMER DRAWING