

4

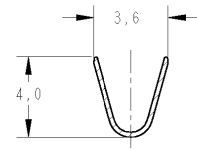
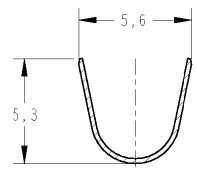
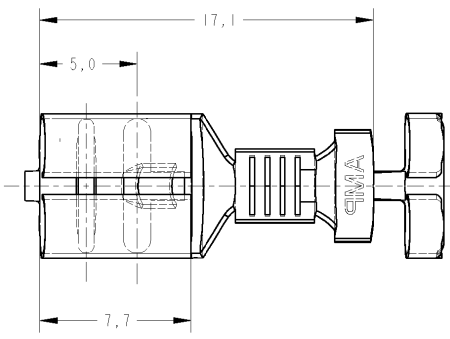
3

2

1

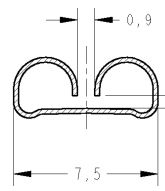
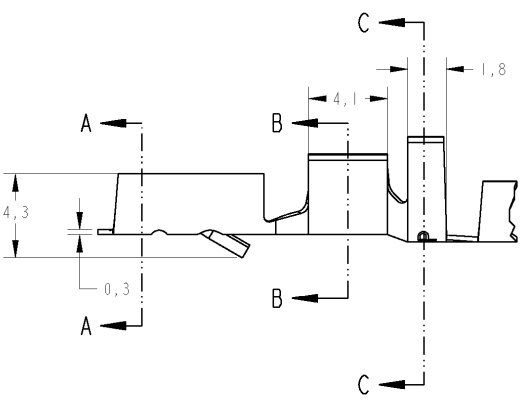
THIS DRAWING IS UNPUBLISHED. RELEASED FOR PUBLICATION
 © COPYRIGHT 19 BY AMP INCORPORATED. ALL RIGHTS RESERVED.

Loc	DIST	REVISIONS				
P	LTR	DESCRIPTION	DATE	DWN	APVD	
G		REDRAW WITH CHANGE EC 0147/99	26OCT00	MLO	PLF	
G1		REV PER ECO-09-026444	27NOV09	KK	AEG	
-	-	-	-	-	-	
-	-	-	-	-	-	



SECTION C-C

SECTION B-B



SECTION A-A

PARA LINGUETAS DE
 0,8 DE ESPESSURA
 FOR 0,8 TAB

1 OBSOLETE	PRATEADO/SILVER PLATED	BRONZE FOSFOROSO/PHOSP. BRONZE	626095-6
	PRATEADO/SILVER PLATED	LATÃO/BRASS	626095-5
	ESTANHADO/TIN PLATED	BRONZE FOSFOROSO/PHOSP. BRONZE	626095-4
	— x —	BRONZE FOSFOROSO/PHOSP. BRONZE	626095-3
	ESTANHADO/TIN PLATED	LATÃO/BRASS	626095-2
	— x —	LATÃO/BRASS	626095-1
—	FINISH	MATERIAL	PART NUMBER

1 OBSOLETE PARTS: OBSOLETE CIS STREAMLINING PER D.RENAUD/D.SINISI

<small>THIS DRAWING IS A CONTROLLED DOCUMENT FOR AMP INCORPORATED. IT IS SUBJECT TO CHANGE AND THE ORIGINAL ENGINEERING ORGANIZATION SHOULD BE CONTACTED FOR THE LATEST REVISION.</small>		DWN M.L. OGAWA 20MAY99 CHR PL. FARIA APVD F. ALEXANDRONI	AMP AMP do Brasil LTDA. São Paulo, Brasil
DIMENSIONS: mm 	TOLERANCES UNLESS OTHERWISE SPECIFIED: 0 PLC ± 1 PLC ±0,3 2 PLC ±0,3 3 PLC ± 4 PLC ± ANGLES ±1°	PRODUCT SPEC APPLICATION SPEC WEIGHT	.250 SERIES FAST-IN-ON RECEPTACLE SIZE A3 CAGE CODE 00779 DRAWING NO G-626095
INS. DIA. RANGE 3,0-4,0 mm	WIRE RANGE 1,0-2,5 mm ²	CUSTOMER DRAWING	RESTRICTED TO SCALE - SHEET OF REV G1