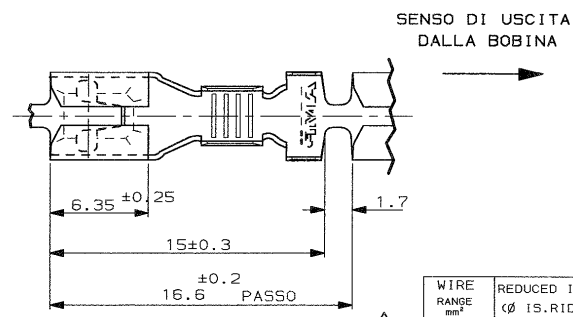
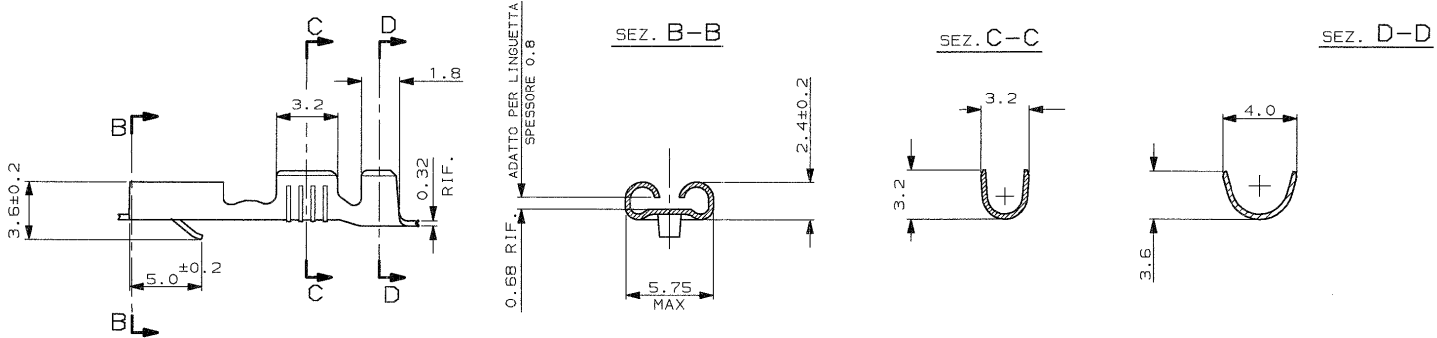


SCALA NON IMPEGNATIVA
(DO NOT SCALE)
DIMENSIONI IN
DIMENSIONS IN mm

METRIC

PROIEZIONE EUROPEA
(EUROPEAN PROJECTION)



WIRE RANGE mm ²	REDUCED INS. CABLE (Ø IS. RID. FASE 3)
0.5	1.5-1.7
1.0	1.9-2.1
1.5	2.2-2.4

STAGNATO	BRONZO FOSF. SO	282180-3
STAGNATO	OTTONE	282180-1
FINITURA / COLORE (FINISH / COLOUR)	MATERIALE (MATERIAL)	NUMERO (PART NUMBER)
CUSTOMER DWG. FOR REFERENCE ONLY		DISSEGNO PER CLIENTE SOLO PER RIFERIMENTO
THIS DRAWING IS UNPUBLISHED		RELEASE FOR PUBLICATION 19
© COPYRIGHT 19 BY AMP INCORPORATED, HARRISBURG, PA. ALL INTERNATIONAL RIGHTS RESERVED. AMP PRODUCTS MAY BE COVERED BY U.S. AND FOREIGN PATENT AND/OR PATENT PENDING.		
TOLLERANZE SE NON DIVERSAMENTE SPECIFICATO (TOLERANCES UNLESS OTHERWISE SPECIFIED)	DIAM. ISOLANTE (INS. DIA. RANGE)	RANGO FILE (WIRE RANGE)
± 0.3	1.5-2.4 DTA	0.5-1.5mm ²
ANGOLI (ANGLES)	SCALA (SCALE)	
± 2°	4:1	
<p>AMP AMP ITALIA S.p.A. Corso F.lli Cervi, 15 COLLENO (TORINO)</p>		
DIS. 3 OCT. 90		
DESCRIZIONE (DESCRIPTION)		
FASTIN-ON REC. (.187 SRS.) TERMINAL		
LOC. (LOC.)	SIZE (SIZE)	NUMERO (NO.)
I	A3	C-282180
REV. (REV.)	REV. (REV.)	FOGLIO (SHEET)
	B1	1 OF 1

B1	REVISED	ET00-0212-01	02/2001	CONT. -
B	AGGIUNTO P/N	282180-3	C.I.	7/5/82
A	IN PRODUZIONE CON	1-2872	13/67	91
REV. (REV.)	REVISIONI (REVISION RECORD)	DIS. DATA (DR DATE)	APP. (APP.)	

REVISIONI (REVISION RECORD)