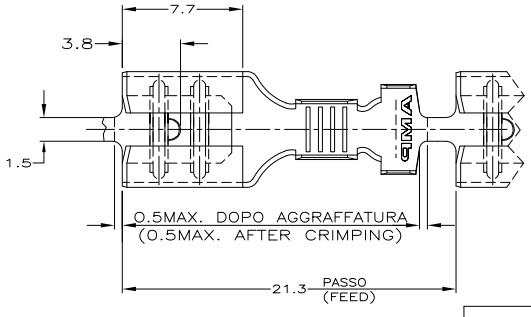
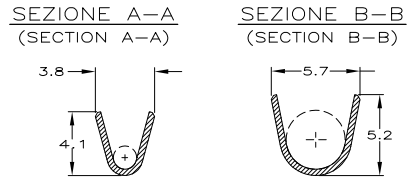
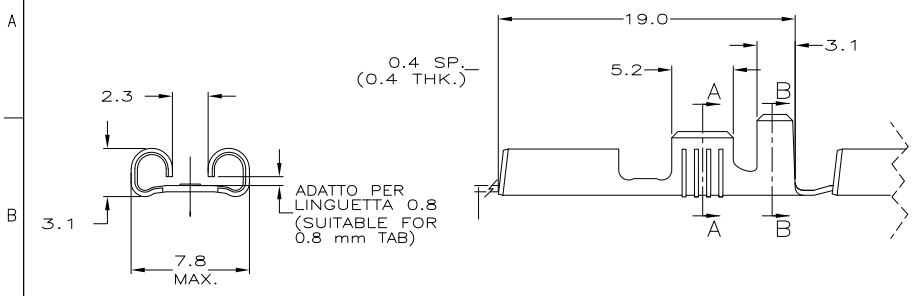


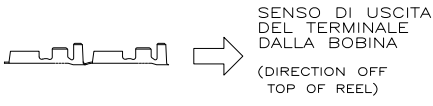
1 2 3 4 5 6 7 8

SCALA NON IMPEGNATIVA (DO NOT SCALE) DIMENSIONI IN mm METRIC PROIEZIONE EUROPEA (EUROPEAN PROJECTION)



- 1 BOBINATO CON CARTA INTERPOSTA (REELED WITH INTERLEAVE PAPER STRIP).
- 2) SPECIFICA DI PRODOTTO 108-20019. (PRODUCT SPEC. 108-20019) SPECIFICA DI AGGRAFFATURA 114-20023. (APPLICATION SPEC. 114-20023).
- 3) P/N CON ALTA FORZA DI ESTRAZIONE (SUITABLE FOR HIGHER EXTRACTION FORCE APPLICATION).
- 4) OBSOLETE PARTS: OBSOLETE CIS STREAMLINING PER D.RENAUD/D.SINISI

STATO DI FORNITURA -SCALE 1:1 (SUPPLYING CONDITION -SCALE 1:1-)



PEZZO SCIOLTO P/N (LOOSE PIECE P/N)	NOTE	FINITURA / COLORE (FINISH / COLOUR)	MATERIALE (MATERIAL)	NUMERO (AMP P/N)	REV.
	4	STAGNATO (TIN PLTD)	OTTONE (BRASS)	1-280001-3	AH
	3	STAGNATO (TIN PLTD)	OTTONE (BRASS)	1-280001-2	AH
	3	NUDO (UNPLATED)	OTTONE (BRASS)	1-280001-1	AH
		NUDO (UNPLATED)	OTTONE (BRASS)	1-280001-0	AG
		STAGNATO (TIN PLTD)	OTTONE (BRASS)	0-280001-9	AG
CUSTOMER DWG. FOR REFERENCE ONLY		DISEGNO PER CLIENTE SOLO PER RIFERIMENTO			
THIS DRAWING IS UNPUBLISHED		RELEASE FOR PUBLICATION			
© COPYRIGHT 19 BY AMP INCORPORATED, HARRISBURG, PA. ALL INTERNATIONAL RIGHT RESERVED. AMP PRODUCTS MAY BE COVERED BY U.S. AND FOREIGN PATENT AND/OR PATENT PENDING					
AH4	REVISED PER ECO-09-021510	KK	03SEP 99		
AH3	CORRECTED PART REV. TABLE ET00-0015-05	H.Y.	14 JAN 99		
AH2	ADDED NEW PARTS ET00-0019-01	H.Y.	25 JAN 01		
AH1	ADDED NEW PARTS ET00-0238-00	H.Y.	01 SEP 00		
AH	OBSOLETE PARTS ET00-0309-99	H.Y.	06 MAR 00		
AG	REVISED FOR ET00-0058-00	R.F.	30 MAR 96		
AE1	REVISED FOR ET00-0298-99	H.Y.	28 SEP 99		
AE	RIDISEGNATO A CAD (REDRAWN BY CAD) ET00-0309-96	A.F./C.T.	04 JUL 96		
H	RIVISTO	15-	-88		
REV.	REVISIONI (REVISION RECORD)	D/S, DATA (OR, DATE)	APP. (APP., DATE)		

DIAM. ISOLANTE (INS. DIA. RANGE) 3-4.3 mm
 RANGO FILO (WIRE RANGE) 1.0-2.5 mm²
 SCALA (SCALE) 4:1
AMP AMP ITALIA S.p.A. Corso F.lli Cervi, 15 COLLENO (TORINO)
 DESCRIZIONE (DESCRIPTION) FASTON® Connector .250" sr. REC. CONTACT
 LOC. SIZE NUMERO (DWG NO) 1 A3
 REV. (SHEET) C-280001 AH4
 DI (OP) 1

1 2 3 4 5 6 7 8