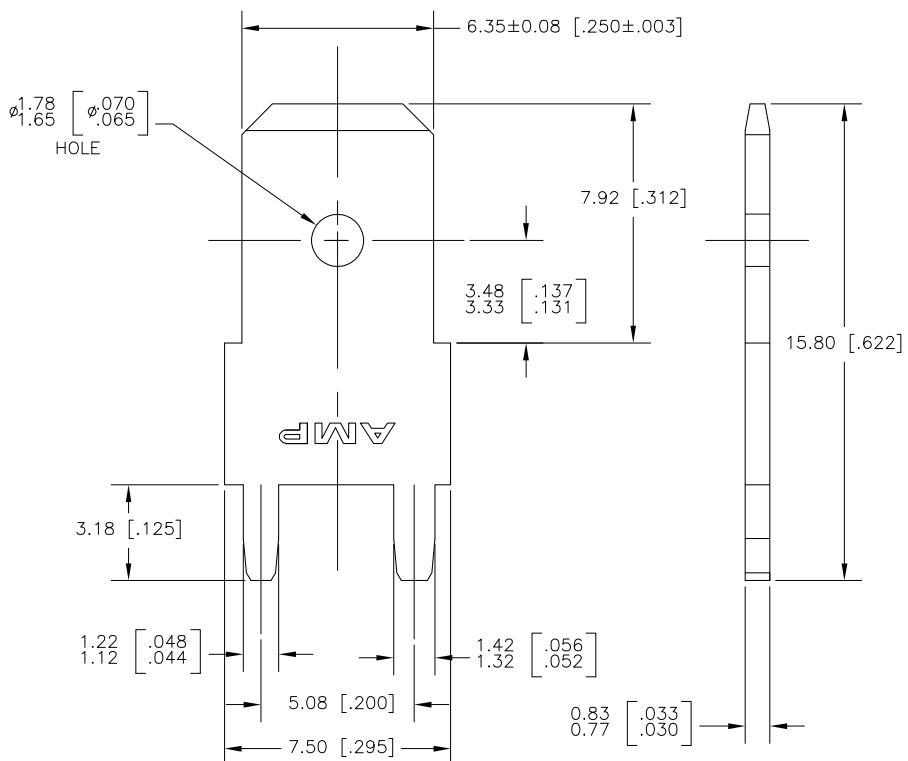
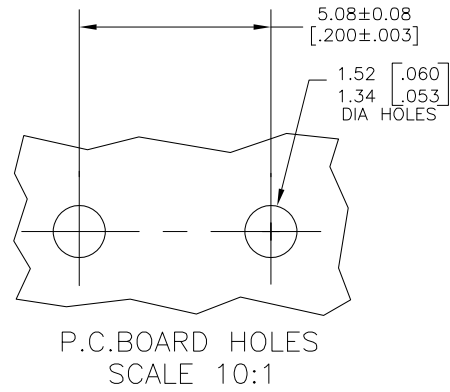


THIS DRAWING IS UNPUBLISHED. RELEASED FOR PUBLICATION
 © COPYRIGHT BY TYCO ELECTRONICS CORPORATION. ALL RIGHTS RESERVED.

LOC		DIST		REVISIONS			
AF	50	P	LTR	DESCRIPTION	DATE	DWN	APVD
		D		REV PER ECR-05-017407	11APR06	HMR	KR



1 SUPPLIED IN LOOSE PIECE.
 Δ 0.00381 [.000150] MIN TIN OVER
 0.00254 [.000100] MIN THK COPPER.



1217056-1
 PART NUMBER

THIS DRAWING IS A CONTROLLED DOCUMENT.		DWN JR RUTH 20MAR01	tyco Electronics	Tyco Electronics Corporation Harrisburg, PA 17105-3608	
DIMENSIONS: mm [INCHES]		CHK MS FEHER 20MAR01		NAME TAB, FASTON, PC BOARD, 6.35 [.250] SERIES	
TOLERANCES UNLESS OTHERWISE SPECIFIED:		APVD N DEIBERT 20MAR01	RESTRICTED TO		
0 PLC ± - 1 PLC ± - 2 PLC ± - 3 PLC ± 0.38 [.015] 4 PLC ± - ANGLES ± -		PRODUCT SPEC - APPLICATION SPEC -	SIZE A3	CAGE CODE 00779	DRAWING NO C=1217056
MATERIAL 082 BRASS	FINISH Δ	WEIGHT -	CUSTOMER DRAWING		SCALE 8:1 SHEET 1 of 1 REV D

AMP 1470-19 REV 31MAR2000