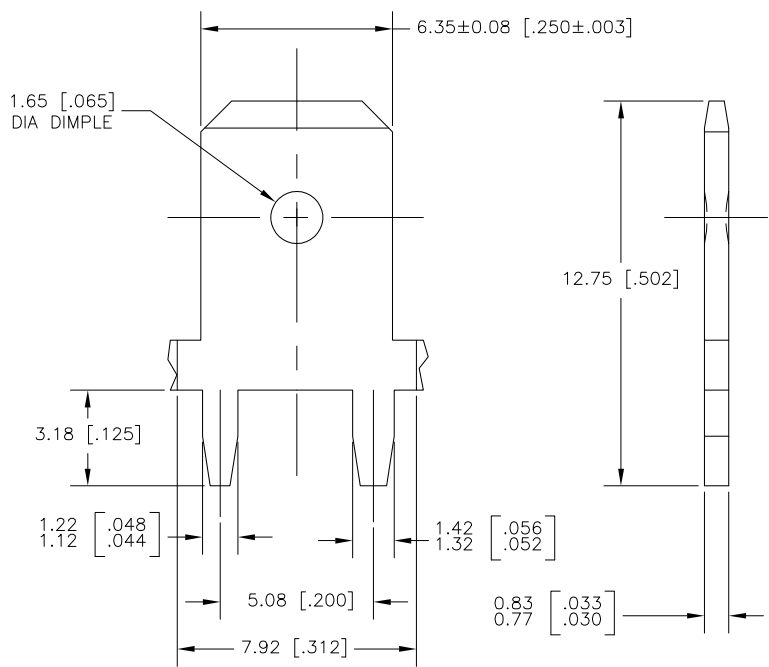
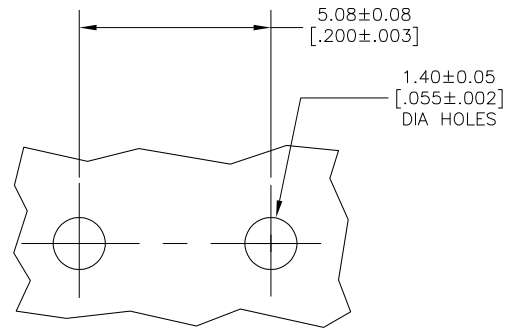


THIS DRAWING IS UNPUBLISHED. RELEASED FOR PUBLICATION
 © COPYRIGHT BY TYCO ELECTRONICS CORPORATION. ALL RIGHTS RESERVED.

LOC	DIST	REVISIONS			
P	LTR	DESCRIPTION	DATE	DWN	APVD
AF	50	E	REV PER ECR-05-017407	15APR06	HMR KR



1 CONTINUOUS STRIP ON REELS.
 Δ 0.00381 [.000150] MIN TIN OVER
 0.00254 [.000100] MIN THK COPPER.



P.C. BOARD HOLES
 SCALE 10:1

63839-1
 PART NUMBER

THIS DRAWING IS A CONTROLLED DOCUMENT.		DWN JR RUTH 30NOV00	Tyco Electronics Corporation Harrisburg, PA 17105-3608	
DIMENSIONS: mm [INCHES]		CHK MS FEHER 30NOV00	NAME TAB, FASTON, PC BOARD, 6.35 [.250] SERIES	
TOLERANCES UNLESS OTHERWISE SPECIFIED: 0 PLC ± - 1 PLC ± - 2 PLC ± 0.25 [.010] 3 PLC ± - 4 PLC ± - ANGLES ± -		APVD G PORTA 30NOV00	RESTRICTED TO	
MATERIAL 082 BRASS		FINISH TIN OVER COPPER	APPLICATION SPEC 114-2112	SIZE A3
		WEIGHT -	CAGE CODE 00779	DRAWING NO C=63839
CUSTOMER DRAWING			SCALE 8:1	SHEET 1 of 1
			REV E	