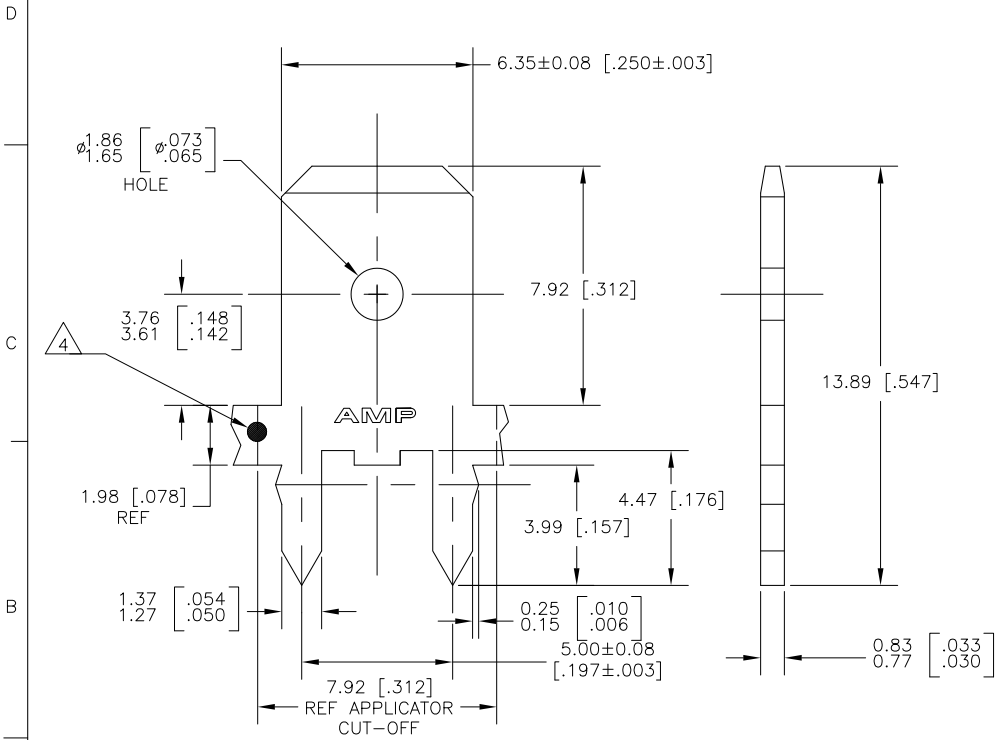
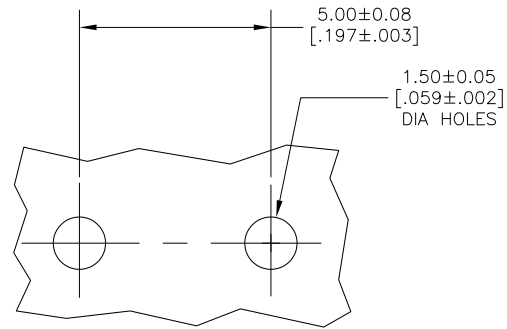


THIS DRAWING IS UNPUBLISHED. RELEASED FOR PUBLICATION
 © COPYRIGHT BY TYCO ELECTRONICS CORPORATION. ALL RIGHTS RESERVED.

LOC	DIST	REVISIONS					
AF	50	P	LTR	DESCRIPTION	DATE	DWN	APVD
		G		REV PER ECR-07-025738	30JAN08	JR	KR



- 1 CONTINUOUS STRIP ON REELS.
- 2 TIN PLATE 0.00381 [.000150] MIN OVER 0.00254 [.000100] MIN THK COPPER OR TIN PLATE 0.00381 [.000150] MIN OVER 0.00127 [.000050] MIN THK NICKEL.
- 3 FEED IS 7.92±0.076 [.312±.003]
- 4 OPTIONAL ID MARK, LOCATION APPROX AS SHOWN.



P.C. BOARD HOLES
SCALE 10:1

63986-1
PART NUMBER

THIS DRAWING IS A CONTROLLED DOCUMENT.		DWN JR RUTH 30NOV00	Tyco Electronics Tyco Electronics Corporation Harrisburg, PA 17105-3608	
DIMENSIONS: mm [INCHES]		CHK MS FEHER 30NOV00	NAME	
TOLERANCES UNLESS OTHERWISE SPECIFIED:		APVD G PORTA 30NOV00	PRODUCT SPEC	
0 PLC ±-		APPLICATION SPEC		
1 PLC ±-		114-2115		
2 PLC ± 0.25 [.010]		WEIGHT		
3 PLC ±-		A3 00779 C=63986		
4 PLC ±-		CUSTOMER DRAWING		
ANGLES ±-		SCALE 8:1 SHEET 1 of 1 REV G		
FINISH		RESTRICTED TO		
082 BRASS		-		

AMP 1470-19 REV 31MAR2000