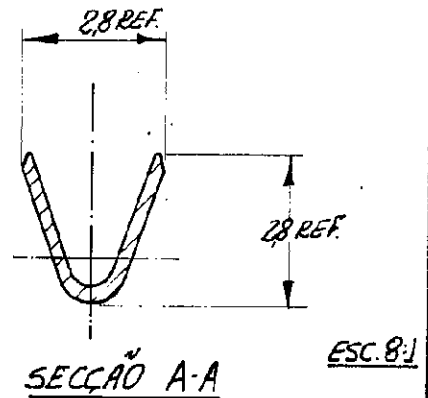
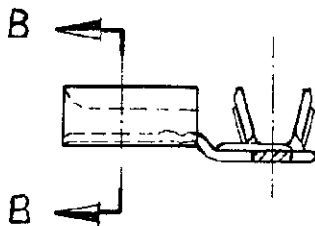
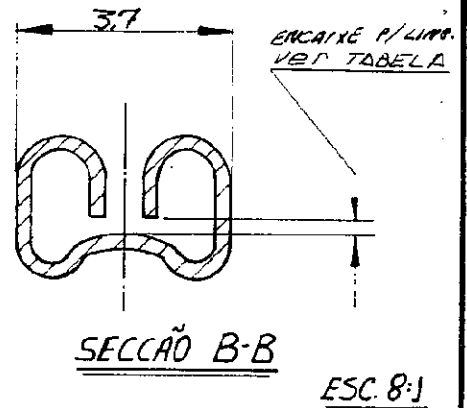
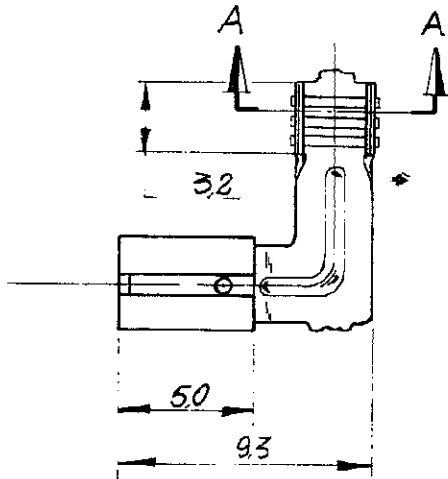


DRAWING MADE IN THIRD ANGLE PROJECTION

LOC	DIST
-----	------

© Copyright 1984 by AMP DO BRASIL - S. P. All International Rights Reserved. AMP Incorporated products covered by U. S. and Foreign patents and/or patents pending.

REVISIONS			
REV	DESCRIPTION	DATE	APPROVED
A	ERA P84-29260	09-NOV-84	<i>[Signature]</i>
B	REMOÇÃO DE NOTA (ECN 2122)	03-APR-90	<i>[Signature]</i>
C	Acresc. -3 e -4	04/06/91	H.C. SILVA
D	Revisado EC LB 308/99	15/07/99	H.C. M.F.S.
D1	REVISED PER ECO-09-026444	28NOV09	AEG



ⓐ	⚠ OBSOLETE	0,8mm.	ESTANHADO	LATÃO	880549-4
ⓑ	⚠ OBSOLETE	0,8mm.	---	LATÃO	880549-3
ⓒ	⚠ OBSOLETE	0,5mm	ESTANHADO	LATÃO	880549-2
ⓓ	⚠ OBSOLETE	0,5mm	---	LATÃO	880549-1
	esp. do LINGU		ACABAMENTO	MATERIAL	PART NO

⚠ OBSOLETE PARTS: OBSOLETE CIS STREAMLINING PER D.RENAUD/D.SINISI

UNLESS OTHERWISE SPECIFIED DIMENSIONS ARE IN mm. TOLERANCES ON DECIMALS ANGLES	CONTRACTOR	TOLERANCE	AMP DO BRASIL S. Paulo - Brasil
	DTP: <i>[Signature]</i> DATE: <i>SEPT. 24-84</i> DRY: <i>[Signature]</i> 24/09/84		
MATERIAL	APPD	NAME	
<i>VER TABELA</i>	APPD	<i>110 SERIES FLAG FASTON RECEPT</i>	
FINISH	WIRE RANGE	SIZE	LOC
<i>VER TABELA</i>	<i>0,5 - 1,3 mm<sup>2</sup></i>	<i>A</i>	<i>AP</i>
	OTHER APPD	DRAWING NO	
		<i>880549</i>	
		SCALE	SHEET
		<i>4:1</i>	<i>1-1</i>

AMP 1463-32

CUSTOMER DRAWING