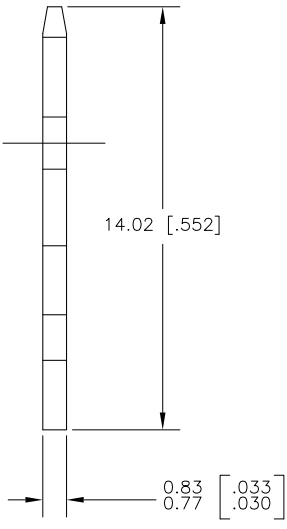
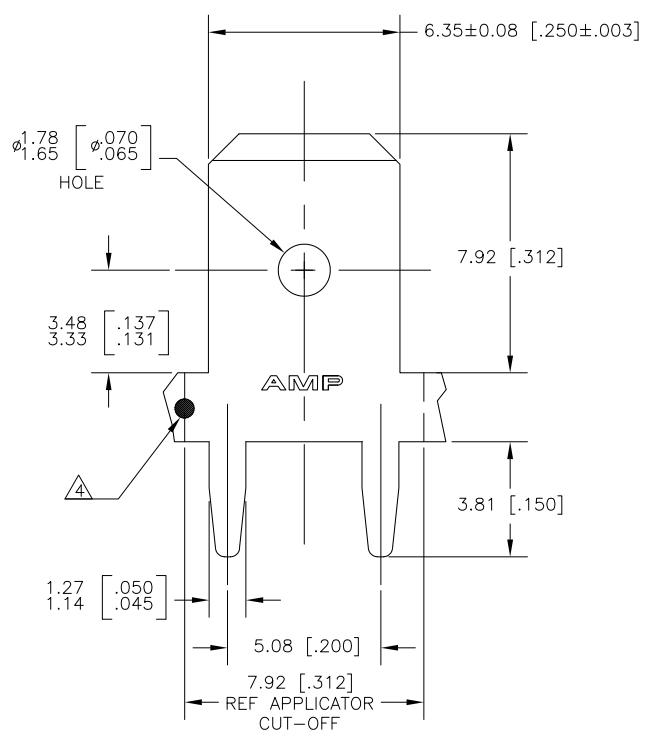
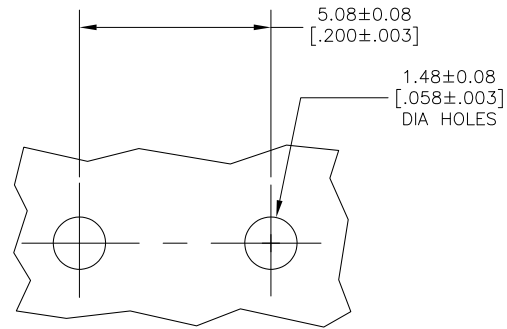


THIS DRAWING IS UNPUBLISHED. RELEASED FOR PUBLICATION  
 © COPYRIGHT BY TYCO ELECTRONICS CORPORATION. ALL RIGHTS RESERVED.

LOC	DIST	REVISIONS			
P	LTR	DESCRIPTION	DATE	DWN	APVD
AF	50	G	REV PER ECR-07-025738	30JAN08	JR JK



- 1 CONTINUOUS STRIP ON REELS.
- 2 TIN PLATE 0.00381 [.000150] MIN OVER 0.00254 [.000100] MIN THK COPPER OR TIN PLATE 0.00381 [.000150] MIN OVER 0.00127 [.000050] MIN THK NICKEL.
- 3 FEED IS 7.92±0.076 [.312±.003]
- 4 OPTIONAL ID MARK, LOCATED APPROX AS SHOWN.



P.C. BOARD HOLES  
SCALE 10:1

REVERSE REELED	1217566-2
STANDARD	1217566-1
REELING	PART NUMBER

THIS DRAWING IS A CONTROLLED DOCUMENT.		DWN JR RUTH 11JAN01	Tyco Electronics Tyco Electronics Corporation Harrisburg, PA 17105-3608	
DIMENSIONS: mm [INCHES]		CHK MS FEHER 11JAN01	NAME	
TOLERANCES UNLESS OTHERWISE SPECIFIED:		APVD N DEIBERT 11JAN01	TAB, FASTON, PC BOARD, 6.35 [.250] SERIES	
0 PLC ± -	1 PLC ± -	PRODUCT SPEC	SIZE	CAGE CODE
2 PLC ± -	3 PLC ± 0.25 [.010]	APPLICATION SPEC	A3	00779
4 PLC ± -	ANGLES ± -	WEIGHT	DRAWING NO	RESTRICTED TO
MATERIAL 082 BRASS	FINISH TIN OVER COPPER	CUSTOMER DRAWING	C=1217566	SCALE 8:1
		SHEET 1 of 1		REV G

AMP 1470-19 REV 31MAR2000