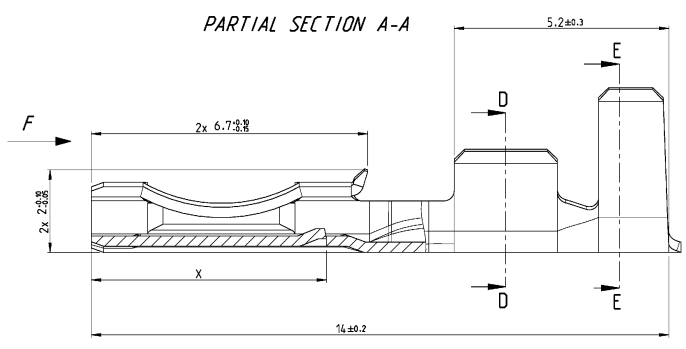


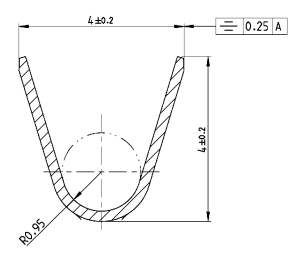
THIS DRAWING IS UNPUBLISHED. RELEASED FOR PUBLICATION 2010  
 © COPYRIGHT 2010 BY TYCO ELECTRONICS CORPORATION. ALL INTERNATIONAL RIGHTS RESERVED.

REVISED		REVISIONS		
LOC	QTY	DESCRIPTION	DATE	BY
A1	-	DRAWING IN THE STANDARD	31AUG10	PPS JDr

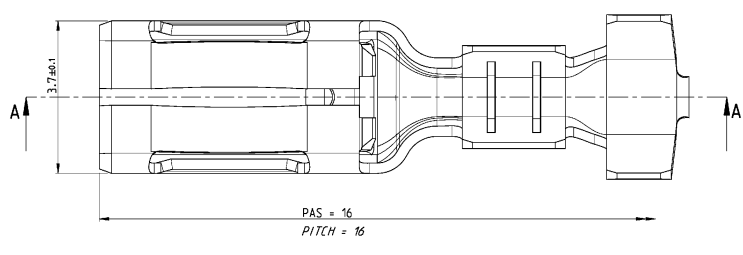
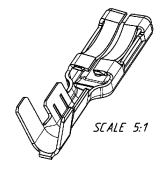
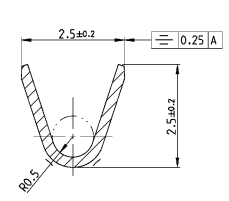
**PARTIAL SECTION A-A**



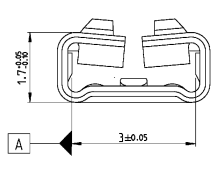
**SECTION E-E**



**SECTION D-D**



**VIEW ACCORDING F WITHOUT CRIMPING WINGS**



CUSTOMER PART NUMBER	TE PART NUMBER	USED WITH TAB THICKNESS =	STANDARD	MATERIAL THICKNESS = 0.25	SURFACE FINISH	X	1st INSERTION WITHOUT SPRIGOT	1st INSERTION	1st EXTRACTION	6th EXTRACTION FORCE (CEI)	AVERAGE	MINI ALONE	10th EXTRACTION FORCES (DIN)
1-1544545-2	0.8		DIN	BRASS CuZn30	PRE-TINNED 1 TO 3µ	3.7							≥ 6
1-1544545-1	0.5				BLANK								
1-1544545-0	0.8			STEEL XC18	POST-NI 3 TO 6µ					≥ 25			
1544545-9	0.5			BRONZE Cu57Ni4P	PRE-TINNED 1 TO 3µ	≥ 5				≤ 15			
1544545-8	0.8		CEI		PRE-TINNED 1 TO 3µ	5.7					≥ 9	≥ 5	
1544545-6	0.5			BRASS CuZn30	PRE-TINNED 1 TO 3µ					≥ 50			
1544545-5	0.8				BLANK					≥ 25			
1544545-4	0.5												
1544545-3	0.8												
1544545-2	0.8												
1544545-1	0.5												

DESIGNER: P. FLORES	DATE: 31AUG10	TYCO ELECTRONICS FRANCE SAS
APP: E. SAPET	DATE: 31AUG10	517 Av. de la Boisse, 93000 Chantigny
PRODUCT SPEC: J. LAHER	DATE: 31AUG10	
2.8 MM FEMALE TERMINAL STANDARDS CEI AND DIN WIRE RANGE 0.5 TO 1 SQUARE MM		
MATERIAL: SEE TABLE	WEIGHT: SEE TABLE	RESTRICTED TO: -
SEE TABLE	CUSTOMER DRAWING	SCALE: 15:1 SHEET 1 OF 1 REV D