

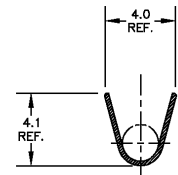
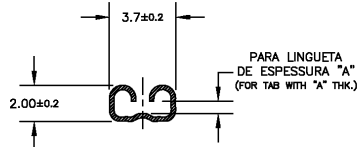
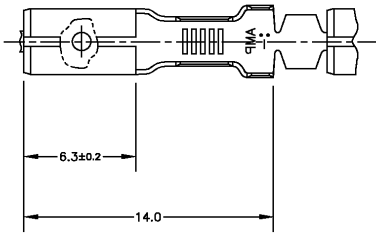
THIS DRAWING IS UNPUBLISHED. RELEASED FOR PUBLICATION .19
 © COPYRIGHT 19 BY AMP INCORPORATED. ALL RIGHTS RESERVED.

CAD MADE DO NOT REVERSE EXCEPT BY CAD

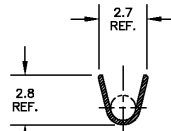
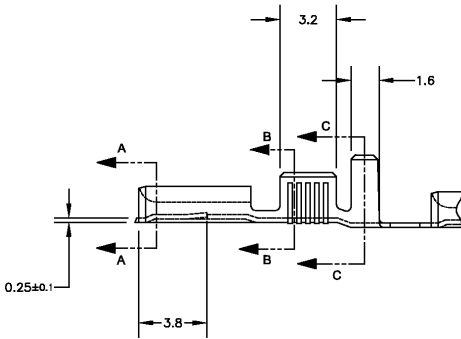
LOC AP DIST -

REVISIONS

P	LT	DESCRIPTION	DATE	DRW	APPD
R		REVISED BY ECLB080/02	03MAY02	AP	PLF
R1		REV PER ECO-09-026444	27NOV09	KK	AEG



1 OBSOLETE PARTS: OBSOLETE CIS STREAMLINING PER D.RENAUD/D.SINISI



INS. RANGE	WIRE RANGE	0.80	626060-5	---	LATAO / BRASS	626044-5
2,03 - 3,04 mm	0,5 - 1,5 mm ²	0.80	626060-4	ESTANHADO / TIN PLATED	BRONZE FOSF. / PHOSP. BRONZE	626044-4
		0.80	626060-3	---	BRONZE FOSF. / PHOSP. BRONZE	626044-3
		0.80	626060-2	ESTANHADO / TIN PLATED	LATAO / BRASS	626041-2
		0.80	626060-1	---	LATAO / BRASS	626041-1
		"A"	LOOSE PIECE No.	---	MATERIAL	PART NUMBER
THIS DRAWING IS A CONTROLLED DOCUMENT.		DRW/DES	A.P.FRUSSI	03MAY2002	AMP do Brasil Ltda. São Paulo, Brasil	
DIMENSIONS: DIMENSÕES MM		CHK/CI	P.J.FARIA	03MAY2002	.110 SERIES FASTON RECEPTACLE	
TOLERANCES UNLESS OTHERWISE SPECIFIED: TOLERÂNCIAS NÃO ESPECIFICADAS		APVD/APP	L.W.PRADO	03MAY2002	NAME DESENHADO	
0 PLC/REC ±		PRODUCT SPEC		108-37014		RESTRICTED TO
1 PLC/REC ±0,3		APPLICATION SPEC		114-2036		---
2 PLC/REC ±		SIZE		A3		---
3 PLC/REC ±		DATE CODE		00779		---
4 PLC/REC ±		DRAWING NO		C=626041		---
ANGLES/ANGULARES ±		WEIGHT		-/-		---
FINISH ACABAMENTO		CUSTOMER DRAWING/DESENHO DE CLIENTE		SCALE ESCALA 5:1		SHEET FOLHA 1 OF DE 1
SEE TABLE		SEE TABLE		REV		R1

AMP 1470-19 REV 23FE86

02MAY2002 9:08am LB023142