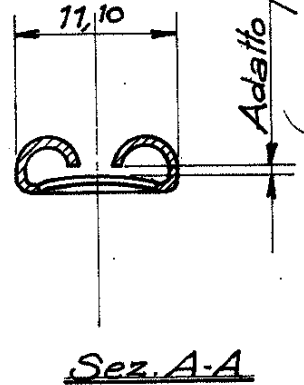
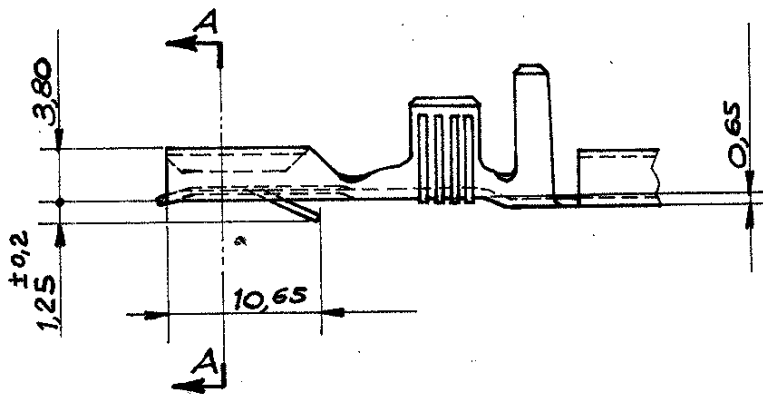
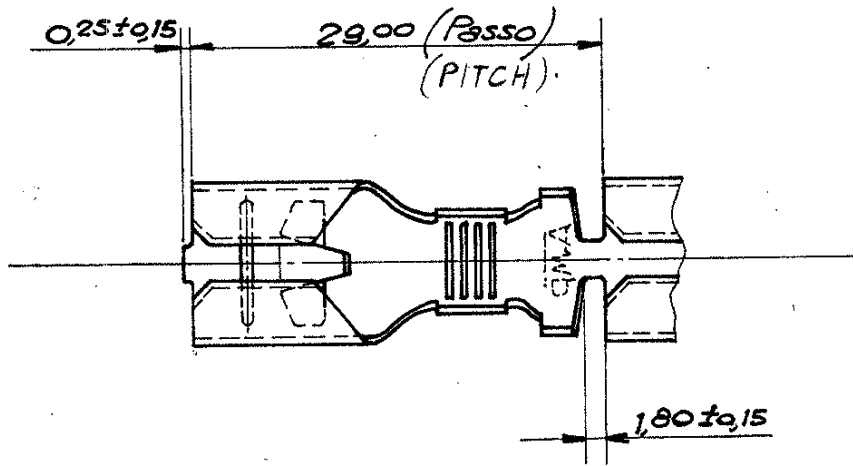


NUMBER
280755



1 OBSOLETE PARTS: OBSOLETE CIS STREAMLINING PER D.RENAUD/D.SINISI

280755-4	BRONZO FOSF. STAGN. (TIN PL. PH. BR.)	
280755-3	BRONZO FOSF. (PHOSPH. BRONZE)	OBSOLETE 1
280755-2	OTTONE STAGNATO (TIN PL. BRASS)	
280755-1	OTTONE (BRASS)	OBSOLETE
NUMERO (PART. N.)	MAT./FINITURA (MAT./FINISH)	

PROIEZIONE AMERICANA
(AMERICAN PROJECTION)

© 1976 BY AMP INCORPORATED. ALL RIGHTS RESERVED. AMP PRODUCTS COVERED BY PATENTS AND OR PATENTS PENDING

CUSTOMER COPY
REFERENCE ONLY

MATERIAL AND FINISH
VEDERE TABELLA
(SEE TABLE)



AMP ITALIA
VIA CERVI 15
COLLENO (TORINO)

B1	REVISED PER ECO-09-022178	KK	AEG	22SEP08
B	DIM. 1,25 ± 0,2 NAS 1,40			16/11/82
A	IN PRODUZIONE			29- Dic. 76
1	P/N ERA IA-76-520B			20/1/76
LTR	REVISION RECORD	DR	CHK	DATE

WIRE RANGE INSULATION
6 ÷ 10 mm² | φ 5+7 mm

TYPE

TOLERANCE EXCEPT AS NOTED
± 0,3 - 10°

SCALE

2:1

LOC

I

A

NO

280755

B1

NAME

.375 SERIES FASTIN-FASTON RECEPTACLE

PRINT DIST

DR	Joppe	DE	JULY 1976
CHK			29/12/76