

4

3

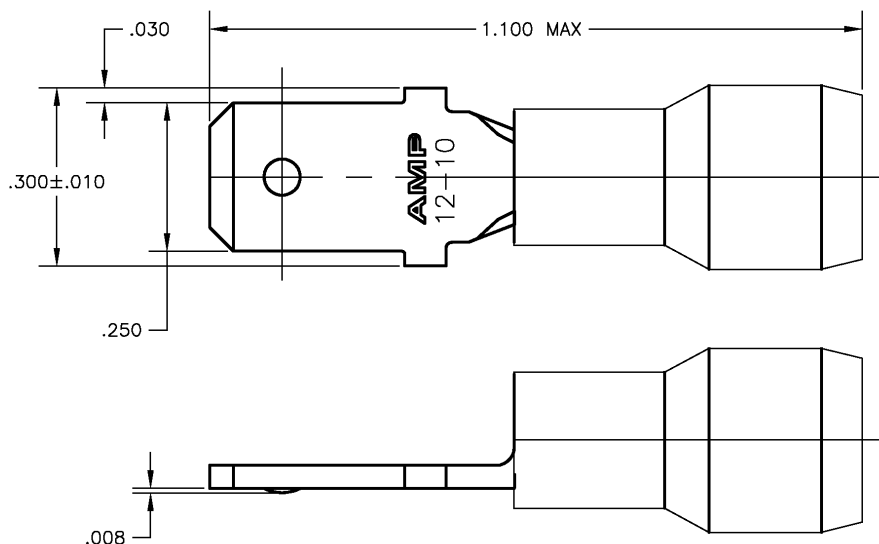
2

1

THIS DRAWING IS UNPUBLISHED. RELEASED FOR PUBLICATION
 © COPYRIGHT - BY TYCO ELECTRONICS CORPORATION. ALL RIGHTS RESERVED.

LOC	DIST	REVISIONS			
P	LTR	DESCRIPTION	DATE	DWN	APVD
G	86	REDRAWN PER 0G3A-0427-02	10SEP02	JR	TM

- 1 STAMPED "AMP 12-10".
- 2 WIRE INSULATION DIA .150-.230.
- 3 MATERIAL THK IS .039±.002



QTY	SLEEVE	MATERIAL & FINISH	PACKAGING TYPE	PART NO
50	YELLOW, PVC	COPPER, TIN	LOOSE PIECES	66025-6
2500	YELLOW, PVC	COPPER, TIN	TAPE MTD	66025-4
500	YELLOW, PVC	COPPER, TIN	LOOSE PIECES	66025-2
50	YELLOW, PVC	COPPER, NONE	LOOSE PIECES	66025-1

THIS DRAWING IS A CONTROLLED DOCUMENT.		DWN JR RUTH 10SEP2002		Tyco Electronics Corporation Harrisburg, PA 17105	
DIMENSIONS: INCHES		TOLERANCES UNLESS OTHERWISE SPECIFIED:		NAME T. MICHELUTTI	
0 PLC ± -		1 PLC ± .1		PRODUCT SPEC	
1 PLC ± .1		2 PLC ± .02		APPLICATION SPEC	
2 PLC ± .02		3 PLC ± .005		SIZE A3	
3 PLC ± .005		4 PLC ± -		CAGE CODE 00779	
4 PLC ± -		ANGLES ± 1°		DRAWING NO 66025	
MATERIAL SEE TABLE		FINISH SEE TABLE		RESTRICTED TO	
CUSTOMER DRAWING				SCALE 6:1 SHEET 1 OF 1 REV G	

AMP 1470-19 REV 31MAR2000

C:\ENGapps\TECacad\4.0\bin\