

4

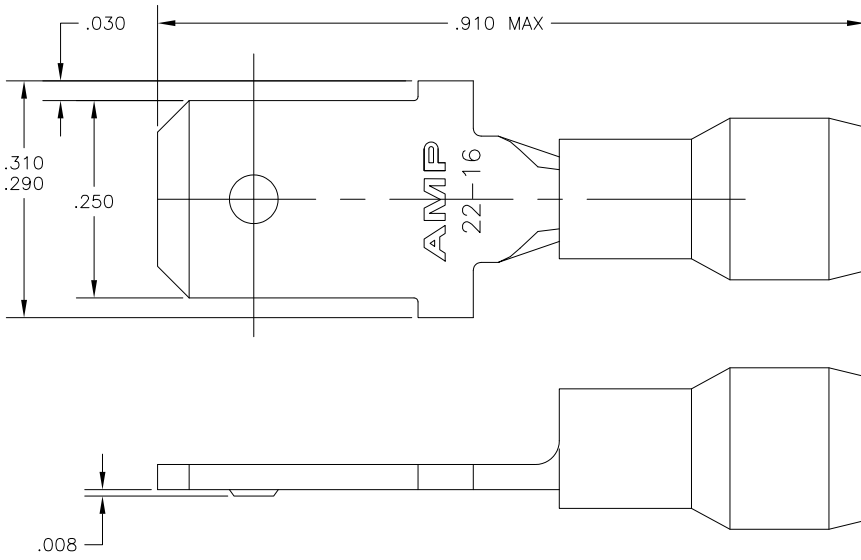
3

2

1

THIS DRAWING IS UNPUBLISHED. RELEASED FOR PUBLICATION  
 © COPYRIGHT - By - ALL RIGHTS RESERVED.

LOC	DIST	REVISIONS			
P	LTR	DESCRIPTION	DATE	DWN	APVD
G	86				
	K1	REVISED PER ECO-11-004917	11MAR11	RK	HMR



- 1 STAMPED "AMP 22-16".
- 2 WIRE INSULATION DIA .105-.140 .
- 3 MATERIAL THK IS .031±.002
- 4 SELECTIVE GOLD PLATE IN WIRE BARREL AND CONTACT AREA

5000	RED, PVC	COPPER, TIN	TAPE MOUNTED	66023-4
500	RED, PVC	COPPER, GOLD 4	LOOSE PIECES	66023-3
500	RED, PVC	COPPER, TIN	LOOSE PIECES	66023-2
QTY	SLEEVE	MATERIAL & FINISH	PACKAGING TYPE	PART NO.

THIS DRAWING IS A CONTROLLED DOCUMENT.

DWN JR RUTH 10SEP2002	CHK T MICHELUTTI 10SEP02		
APVD T MICHELUTTI 10SEP02	NAME		
DIMENSIONS: INCHES		TOLERANCES UNLESS OTHERWISE SPECIFIED:	
0 PLC ± -		1 PLC ± .1	
1 PLC ± .1		2 PLC ± .02	
2 PLC ± .02		3 PLC ± .005	
3 PLC ± .005		4 PLC ± -	
4 PLC ± -		ANGLES ± 1°	
MATERIAL SEE TABLE	FINISH SEE TABLE	PRODUCT SPEC	APPLICATION SPEC
SIZE		CAGE CODE	DRAWING NO
A3		00779	C-66023
WEIGHT		RESTRICTED TO	
CUSTOMER DRAWING		SCALE	8:1
SHEET		1	OF 1
REV		K1	