

4

3

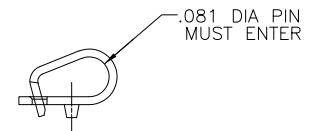
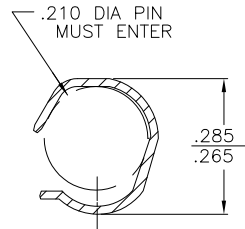
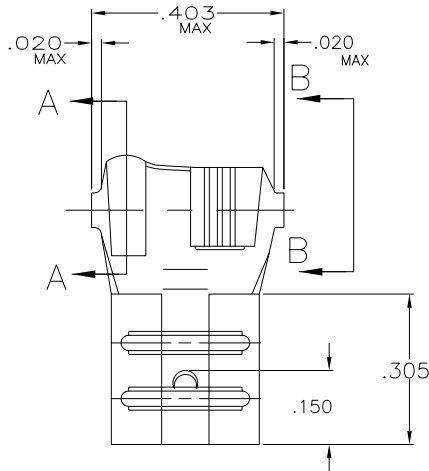
2

1

THIS DRAWING IS UNPUBLISHED. RELEASED FOR PUBLICATION  
 © COPYRIGHT - BY TYCO ELECTRONICS CORPORATION. ALL RIGHTS RESERVED.

LOC	DIST	REVISIONS			
P	LTR	DESCRIPTION	DATE	DWN	APVD
AF	50				
	A2	REVISED PER ECR-10-012842	24SEP10	HMR	PD

- 1 WIRE AND INSULATION BARRELS TO BE PERFORMED AS SHOWN IN CUT OFF OPERATION.
- 2 SUPPLIED IN LOOSE PIECE.
- 3 MATING TAB THK IS  $0.81 \pm 0.025$  [ $.032 \pm .001$ ].
- 4 WIRE SIZE IS 0.8-3.0mm<sup>2</sup> [18-12] AWG
- 5 INSULATION RANGE IS 2.79-5.33 [ $.110-.210$ ] DIA.



OBSOLETE	8-41898-1
	41898
	PART NO.

THIS DRAWING IS A CONTROLLED DOCUMENT.		DWN	JR RUTH	11/16/93	Tyco Electronics Corporation Harrisburg, PA 17105-3608
DIMENSIONS: INCHES		CHK	MS FEHER	11/16/93	
TOLERANCES UNLESS OTHERWISE SPECIFIED: 0 PLC ± - 1 PLC ± - 2 PLC ± - 3 PLC ± 0.38 [.015] 4 PLC ± - ANGLES ± -		APVD	P DESANTIS	11/16/93	NAME
		PRODUCT SPEC		RECEPTACLE, FASTON, FLAG, .250 SERIES	
MATERIAL: TEMP 4M BRASS		APPLICATION SPEC		RESTRICTED TO	
FINISH: TIN		WEIGHT		SIZE: A3	CAGE CODE: 00779
		CUSTOMER DRAWING		DRAWING NO: 41898	REV: A2
		SCALE: 4:1		SHEET: 1 of 1	