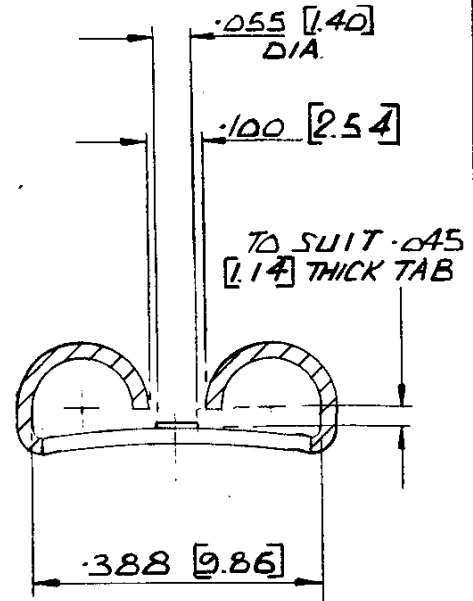
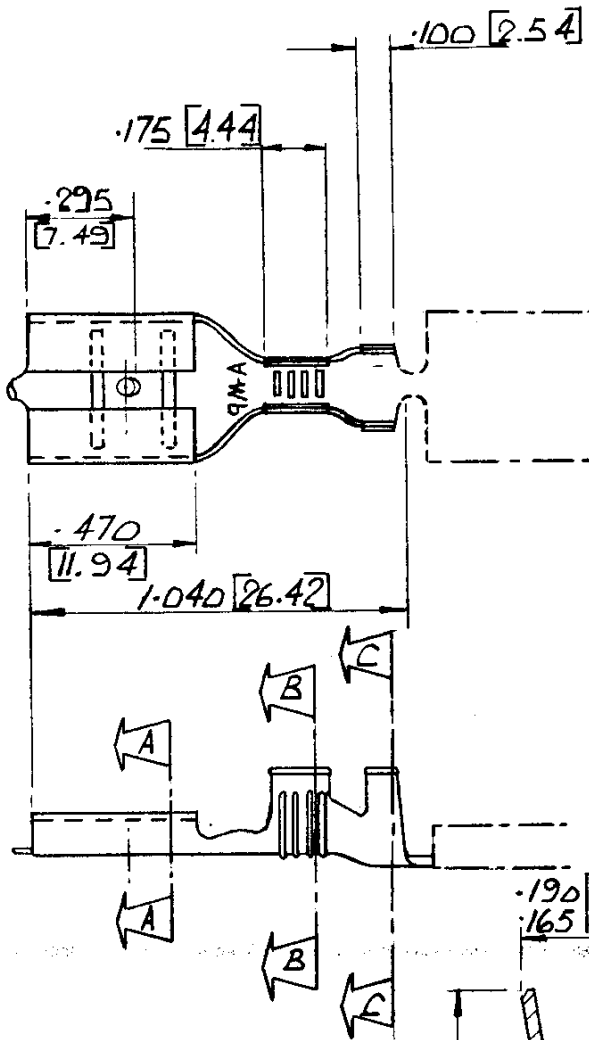


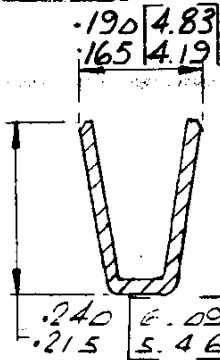
C-150530

3rd ANGLE (AMERICAN) PROJECTION

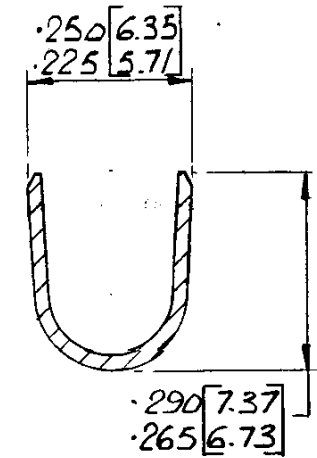
DIMENSIONS IN INCHES. DO NOT SCALE PRINT
DIMENSIONS THUS [] IN MM.



SECTION A-A
SCALE: 4:1



SECTION B-B
SCALE: 4:1



SECTION C-C
SCALE: 4:1

150530-2	NONE	PHOS. BRZ.	—
150530-1	ELECT-TIN	BRASS	150270-1
150530	NONE	BRASS	150270
PART NO:	FINISH	MATERIAL	LOOSE PIECE

© AMP of GREAT BRITAIN LTD 1974

CUSTOMER COPY
REFERENCE ONLY

F	ES00-0299 WAS 4 WIRE RANGE H-B	DR	27/5/78
E	240/.215 WAS .260/.215 WIRE RANGE WAS 12-10	C.S.	25-1-78
D	RE-DRAWN METRIC'S ADDED	C.S.	K.S. 18.9.78

MATERIAL AND FINISH
.020 [0.5] STOCK
THICKNESS
SEE TABLE

AMP
of Great Britain Ltd

TERMINAL HOUSE,
STANMORE,
MIDDX.

LTR	REVISION RECORD	DR	CHK	DATE
DR	L.E. SLOUGH		DE	
CHK	K. STEVENS 11/178		APP	9.78

WIRE — RANGE — INSULATION
2-6mm² 160-210

CLASS WT-R
TYPE AUTOMATIC

TOLERANCE EXCEPT AS NOTED
± .015 [0.38] ± 1° or 2:184:1

LOC E NO A C-150530

NAME EASTON RECEPTACLE '375 [9.52] SERIES'