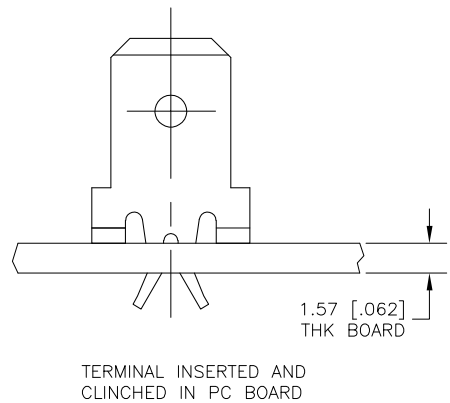
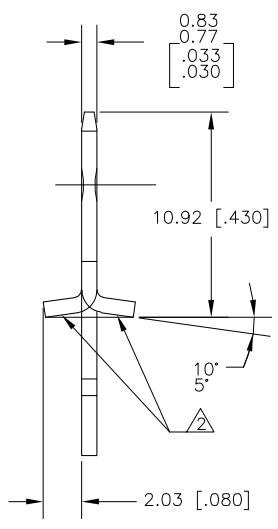
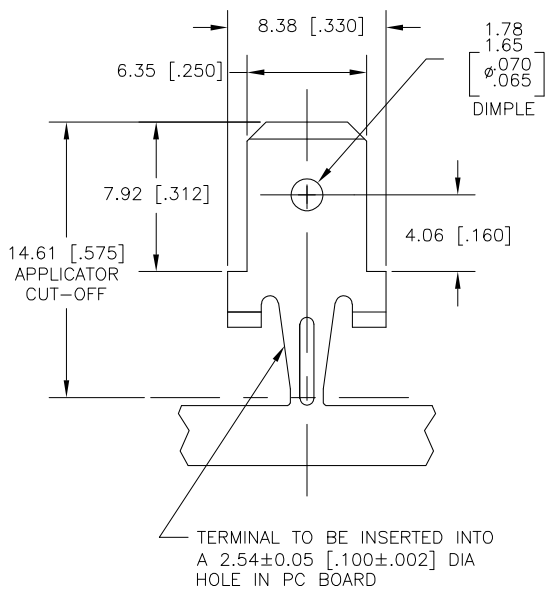


THIS DRAWING IS UNPUBLISHED. RELEASED FOR PUBLICATION
 © COPYRIGHT BY TYCO ELECTRONICS CORPORATION. ALL RIGHTS RESERVED.

LOC	DIST	REVISIONS					
AF	50	P	LTR	DESCRIPTION	DATE	DWN	APVD
		K		REV PER ECR-05-017407	14APR06	HMR	KR



- 1 CONTINUOUS STRIP ON REELS.
- △ STABILIZERS BENT IN OPPOSITE DIRECTION. BOTH STRIPS MUST BE IDENTICAL.
- △ 0.00381 [.000150] MIN TIN PL OVER 0.00254 [.000100] MIN COPPER PL.

63067-1	63066-1
L.P. P/N	PART NO.

THIS DRAWING IS A CONTROLLED DOCUMENT.		DWN JR RUTH 20FEB01	Tyco Electronics Corporation Harrisburg, PA 17105-3608	
DIMENSIONS: mm [INCHES]		CHK MS FEHER 20FEB01	NAME TAB, FASTON, PC BOARD 6.35 [.250] SERIES	
TOLERANCES UNLESS OTHERWISE SPECIFIED: 0 PLC ± - 1 PLC ± - 2 PLC ± 0.38 [.015] 3 PLC ± - 4 PLC ± - ANGLES ± -		APVD N DEIBERT 20FEB01	RESTRICTED TO	
MATERIAL 082 BRASS	FINISH △	PRODUCT SPEC - APPLICATION SPEC - WEIGHT -	SIZE A3	CAGE CODE 00779
		CUSTOMER DRAWING	DRAWING NO C=63066	SCALE 5:1
			SHEET 1 of 1	REV K