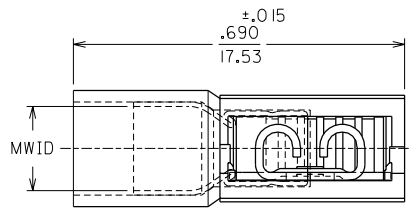
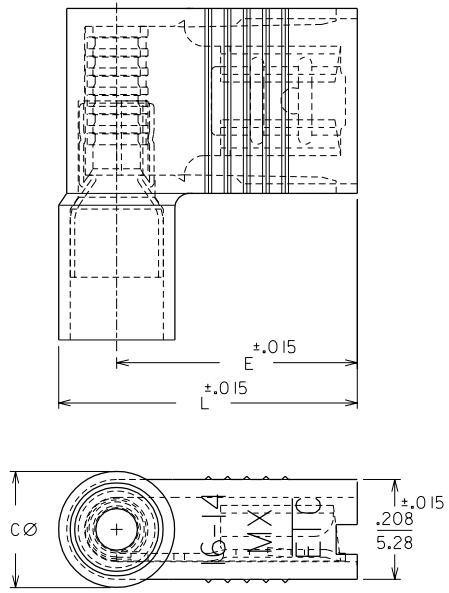


PART NO.	AWG	COLOR	MWID	TAB SIZE	L	E	C
AA-5222	22-18	RED	.150/3.81	.187X.020	.620/15.75	.512/13.00	.222/5.64
AA-5223	22-18	RED	.150/3.81	.187X.032	.620/15.75	.512/13.00	.222/5.64
BB-5224	16-14	BLUE	.170/4.32	.187X.020	.620/15.75	.500/12.70	.242/6.15
BB-5225	16-14	BLUE	.170/4.32	.187X.032	.620/15.75	.500/12.70	.242/6.15

NOTES:
 1. MWID = MAX. WIRE INSULATION DIA.
 2. ALL DIMENSIONS = INCHES/MM



CUST. DWG.

LTR.	REVISIONS

DIMENSIONS SHOWN (METRIC) INCH UNLESS OTHERWISE SPECIFIED TOLERANCES: ANGULAR ± 1/2°		REVISE ONLY ON CAD SYSTEM													
<table border="1"> <thead> <tr> <th></th> <th>INCH</th> <th>METRIC</th> </tr> </thead> <tbody> <tr> <td>3 PLACE</td> <td>±</td> <td>±</td> </tr> <tr> <td>2 PLACE</td> <td>±</td> <td>±</td> </tr> <tr> <td>1 PLACE</td> <td>±</td> <td>±</td> </tr> </tbody> </table>		INCH	METRIC	3 PLACE	±	±	2 PLACE	±	±	1 PLACE	±	±	TITLE AVIKRIMP FLAG FULLY INSULATED .187X.020 & .032		SHEET NO. [] DATE 08/26/93
	INCH	METRIC													
3 PLACE	±	±													
2 PLACE	±	±													
1 PLACE	±	±													
DRAFT WHERE APPLICABLE MUST REMAIN WITHIN DIMENSIONS		PART NO. SEE TABLE	DRAWG. NO. CUST. DWG.												
DRWG. BY RCM	CHK'D. BY JM	FILE NAME CDL-A187 CST	THIS DRAWING CONTAINS INFORMATION THAT IS PROPRIETARY TO MOLEX-ETC INC. AND SHOULD NOT BE USED WITHOUT WRITTEN PERMISSION.												
APP'D. BY FP	SCALE NO:NE	DIV. B	SIZE B												