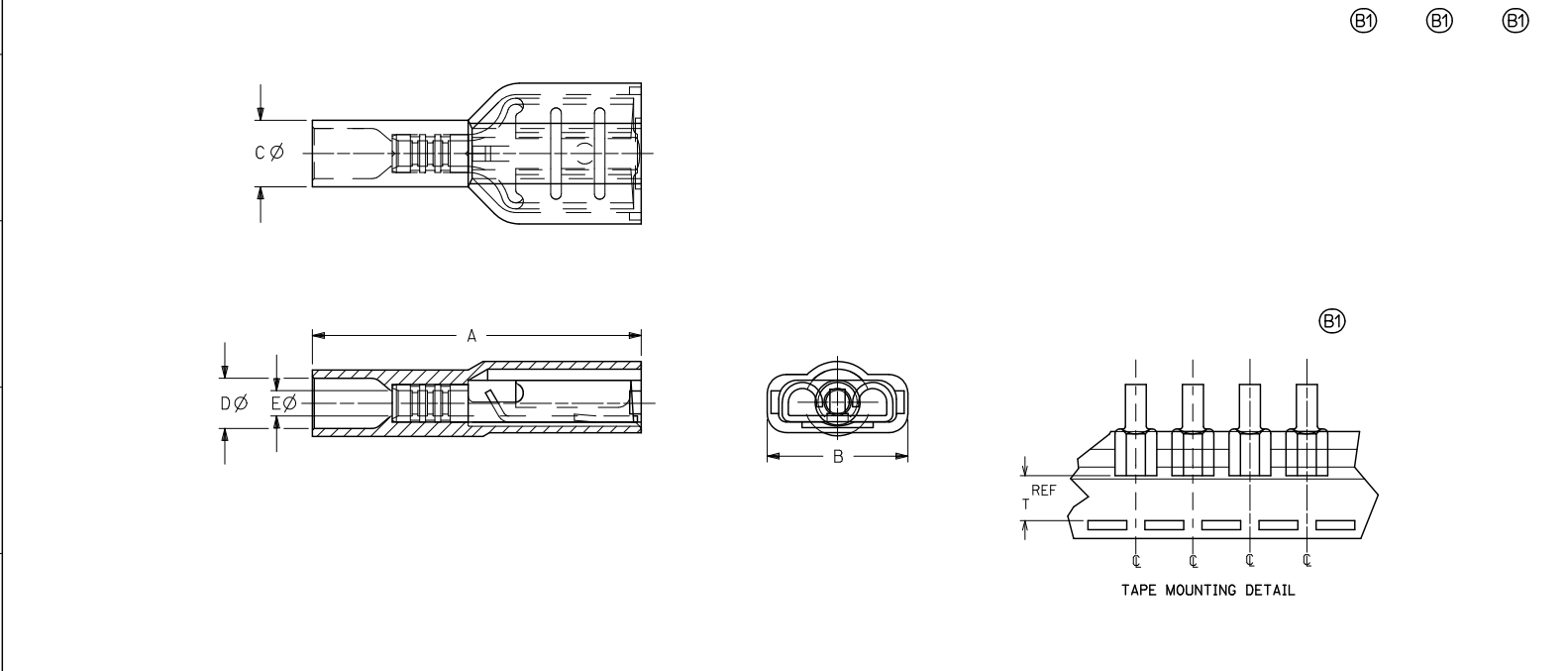


| 10 | 9 | 8 | 7 | 6 | 5 | 4 | 3 | 2 | 19005 | | | | |
|-----------------------|--------------------------|----------------------|-------------------------|-----------|---------------------|--------|-------------------|-----------|---------|---------|---------|---------|----------|
| MATERIAL NO. LOOSE PC | ENGINEERING NO. LOOSE PC | MATERIAL NO. ON TAPE | ENGINEERING NO. ON TAPE | WIRE SIZE | ACCEPTS TAB SIZE | COLOR | STOCK THKNS (REF) | A MAX | B MAX | C MAX | D MWID | E MIN | T REF |
| 190050001 | AA-2261 | 190050004 | AA-2261T | 22-18 | .250x.032/6.35x0.81 | RED | .018/0.46 | .89/22.6 | .38/9.7 | .23/5.9 | .16/4.1 | .08/2.0 | .52/13.2 |
| 190050005 | BB-2263 | 190050009 | BB-2263T | 16-14 | .250x.032/6.35x0.81 | BLUE | .018/0.46 | .89/22.6 | .38/9.7 | .23/5.9 | .16/4.1 | .08/2.0 | .52/13.2 |
| 190050010 | C-2265 | 190050015 | C-2265T | 12-10 | .250x.032/6.35x0.81 | YELLOW | .018/0.46 | 1.04/26.4 | .38/9.7 | .34/8.7 | .27/6.8 | .14/3.5 | .51/13.0 |



NOTES:

1. TERMINAL MATERIAL: BRASS
2. TERMINAL FINISH: TIN PLATED
3. INSULATION MATERIAL: MOLDED NYLON
4. MWID = MAXIMUM WIRE INSULATION DIAMETER
5. ASSEMBLY IS ROHS COMPLIANT.

| REVISED TOLERANCES EC NO: WNA2010-0574 DRAWN: THRODAHL 2010/03/15 CHECKED: JMACNEIL 2010/03/15 APPR: JMACNEIL 2010/03/24 DESCRIPTION REV B1 | QUALITY SYMBOLS | GENERAL TOLERANCES (UNLESS SPECIFIED) | DIMENSION STYLE | SCALE | DESIGN UNITS | THIRD ANGLE PROJECTION | | | | | | | | | | | | | | | |
|--|--------------------------|---|-----------------|-------|--------------|------------------------|-------|-------|----------|-------|-------|----------|-------|-------|---------|-------|-------|--|-----|------|---|
| | $\nabla=0$ $\nabla=0$ | <table border="1"> <tr> <th></th> <th>mm</th> <th>INCH</th> </tr> <tr> <td>4 PLACES</td> <td>± ---</td> <td>± ---</td> </tr> <tr> <td>3 PLACES</td> <td>± ---</td> <td>± ---</td> </tr> <tr> <td>2 PLACES</td> <td>± ---</td> <td>± ---</td> </tr> <tr> <td>1 PLACE</td> <td>± ---</td> <td>± ---</td> </tr> </table> | | mm | INCH | 4 PLACES | ± --- | ± --- | 3 PLACES | ± --- | ± --- | 2 PLACES | ± --- | ± --- | 1 PLACE | ± --- | ± --- | (B1) IN/MM DRAWN BY: EMF DATE: 1993/06/25 CHECKED BY: --- DATE: --- APPROVED BY: JMACNEIL DATE: 2010/03/19 | --- | INCH | FULLY INSULATED FEMALE COUPLER MOLEX INCORPORATED DOCUMENT NO. SD-19005-001 |
| | | mm | INCH | | | | | | | | | | | | | | | | | | |
| | 4 PLACES | ± --- | ± --- | | | | | | | | | | | | | | | | | | |
| 3 PLACES | ± --- | ± --- | | | | | | | | | | | | | | | | | | | |
| 2 PLACES | ± --- | ± --- | | | | | | | | | | | | | | | | | | | |
| 1 PLACE | ± --- | ± --- | | | | | | | | | | | | | | | | | | | |
| DRAFT WHERE APPLICABLE MUST REMAIN WITHIN DIMENSIONS | SEE CHART | MATERIAL NO. | SHEET NO. | | | | | | | | | | | | | | | | | | |
| | | | 1 OF 1 | | | | | | | | | | | | | | | | | | |