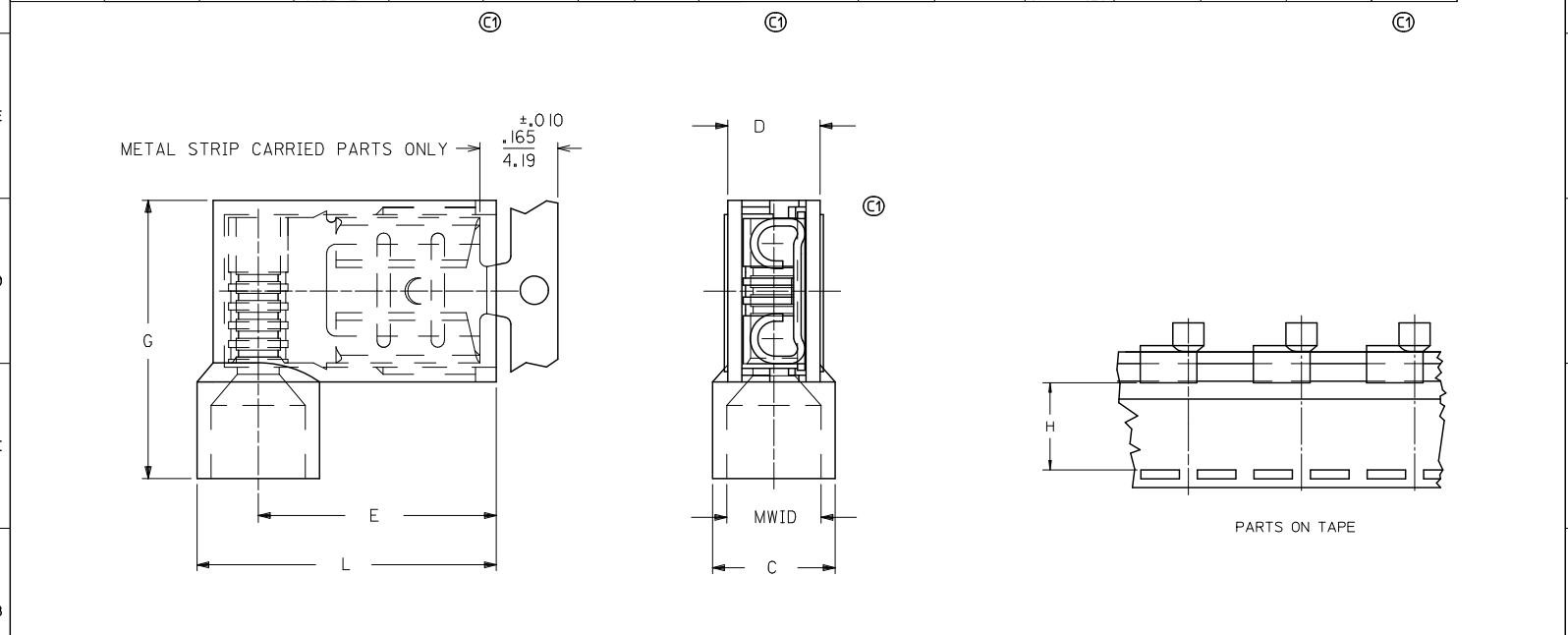


LOOSE PIECE		METAL STRIP CARRIED		MYLAR TAPE CARRIED		FEATURES				DIMENSIONS					
MATERIAL NUMBER	ENGINEERING NUMBER	MATERIAL NUMBER	ENGINEERING NUMBER	MATERIAL NUMBER	ENGINEERING NUMBER	AWG	COLOR	FITS TAB SIZE	MWID	L ± .015 0.38	G ± .015 0.38	E ± .015 0.38	C ± .015 0.38	D ± .015 0.38	H ± .02 0.5
190070001	AA-2220	190070008	AA-2220Z	190070004	AA-2220T	22-18	RED	.250x.032/6.35x0.81	.176/4.47	.630/16.00	.585/14.86	.512/13.00	.236/5.99	.197/5.00	.93/23.6
190070005	AA-2220X	190070007	AA-2220XZ	190070006	AA-2220XT	22-18	RED	.250x.032/6.35x0.81	.240/6.10	.662/16.81	.625/15.88	.512/13.00	.300/7.26	.197/5.00	.93/23.6
190070021	BB-2221	190070028	BB-2221Z	190070024	BB-2221T	16-14	BLUE	.250x.032/6.35x0.81	.200/5.08	.630/16.00	.585/14.86	.500/12.70	.260/6.60	.197/5.00	.93/23.6
190070025	BB-2221X	190070027	BB-2221XZ	190070026	BB-2221XT	16-14	BLUE	.250x.032/6.35x0.81	.265/6.73	.670/17.02	.625/15.88	.500/12.70	.325/8.26	.197/5.00	.93/23.6
190070040	C-2211	190070041	C-2211Z	190070053	C-2211T	12-10	YELLOW	.250x.032/6.35x0.81	.260/6.60	.667/16.93	.677/17.20	.511/12.98	.311/7.90	.246/6.25	.97/24.6



- NOTES:
1. MWID = MAX. WIRE INSULATION DIA.
 2. ALL DIMENSIONS = INCHES/MM
 3. MATERIAL:
HOUSING: NYLON
TERMINAL: TIN PLATED BRASS
 4. ASSEMBLY IS ROHS COMPLIANT.

ADD TAPE PARTS EC NO: WNAZ011-0074 2010/08/10 DRW: HETHRODAHL 2010/08/10 CHKD: JMACNEIL 2010/08/10 APPR: JMACNEIL 2010/09/23	QUALITY SYMBOLS ▽=0 ▽=0	GENERAL TOLERANCES (UNLESS SPECIFIED)		DIMENSION STYLE IN/MM		SCALE 5:1	DESIGN UNITS INCH	THIRD ANGLE PROJECTION	
		4 PLACES ± --- ± ---	mm	INCH	DRAWN BY RCM	DATE 1989/07/26	TITLE FLAG QUICK DISCONNECT, FULLY INSULATED, .250 X .032 TAB SIZE		
		3 PLACES ± --- ± .005			CHECKED BY JM	DATE 1989/07/26	MOLEX INCORPORATED		
		2 PLACES ± 0.13 ± .01			APPROVED BY FP	DATE 1989/07/26	MATERIAL NO. SD-19007-004 DOCUMENT NO. SHEET NO. 1 OF 1		
		1 PLACE ± 0.25 ± ---			ANGULAR ± 1/2°	THIS DRAWING CONTAINS INFORMATION THAT IS PROPRIETARY TO MOLEX INCORPORATED AND SHOULD NOT BE USED WITHOUT WRITTEN PERMISSION			
		DRAFT WHERE APPLICABLE MUST REMAIN WITHIN DIMENSIONS		SEE CHART					